

Embedded Serial to Ethernet Module

CSE-M24 User Manual

Version 1.3



Sollae Systems Co., Ltd.

<http://www.ezTCP.com>



This symbol, found on your product or on its packaging, indicates that this product should not be treated as household waste when you wish to dispose of it. Instead, it should be handed over to an applicable collection point for the recycling of electrical and electronic equipment. By ensuring this product is disposed of correctly, you will help prevent potential negative consequences to the environment and human health, which could otherwise be caused by inappropriate disposal of this product. The recycling of materials will help to conserve natural resources. For more detailed information about the recycling of this product, please contact your local city office, household waste disposal service or the retail store where you purchased this product.

Contents

1	Overview	- 5 -
1.1	Overview	- 5 -
1.2	Main Features	- 5 -
1.3	Application Examples	- 6 -
1.4	Components	- 7 -
1.5	Specification	- 8 -
1.5.1	<i>Hardware</i>	<i>- 8 -</i>
1.5.2	<i>Software</i>	<i>- 8 -</i>
1.5.3	<i>Demension</i>	<i>- 9 -</i>
1.5.4	<i>Pins</i>	<i>- 10 -</i>
1.5.5	<i>Serial Port Parameters</i>	<i>- 12 -</i>
1.5.6	<i>An Application Circuit</i>	<i>- 13 -</i>
2	Installation and Test	- 14 -
2.1	Installation	- 14 -
2.1.1	<i>Setting Network Aera</i>	<i>- 15 -</i>
2.2	Simple Test	- 17 -
3	Configuration	- 20 -
3.1	Configuration with ezManager	- 20 -
3.1.1	<i>Configuration via LAN</i>	<i>- 20 -</i>
3.1.2	<i>Configuration via Serial</i>	<i>- 21 -</i>
3.2	AT command	- 22 -
4	Operation Modes	- 23 -
4.1	What is the Operation Mode?	- 23 -
4.2	How to entering each mode	- 23 -
4.3	Comparison with each mode	- 24 -
4.4	Normal Mode	- 24 -
4.5	Serial Configuration Mode	- 25 -
4.6	ISP Mode	- 25 -
4.6.1	<i>Upgrading Firmware</i>	<i>- 25 -</i>
4.6.2	<i>Revoking Security Options</i>	<i>- 25 -</i>
5	Communication Modes	- 26 -
5.1	TCP Server	- 26 -

5.1.1	Key parameters.....	- 26 -
5.1.2	Examples.....	- 27 -
5.2	TCP Client.....	- 30 -
5.2.1	Key parameters.....	- 30 -
5.2.2	Examples.....	- 31 -
5.3	AT Command.....	- 34 -
5.3.1	Key parameters.....	- 34 -
5.3.2	Examples.....	- 35 -
5.4	UDP.....	- 38 -
5.4.1	Key parameters.....	- 38 -
5.4.2	Examples.....	- 39 -
6	System Management.....	- 41 -
6.1	Upgrading Firmware.....	- 41 -
6.1.1	Firmware.....	- 41 -
6.1.2	Processes.....	- 41 -
6.2	Status Monitoring.....	- 43 -
6.2.1	Using TELNET.....	- 43 -
6.2.2	Using ezManager.....	- 46 -
7	Additional Functions.....	- 50 -
7.1	Access Restriction (ezTCP Firewall).....	- 50 -
7.1.1	Setting Password.....	- 50 -
8	Additional Functions.....	- 51 -
8.1	Notify IPv4 Change.....	- 51 -
8.2	Sending MAC Address.....	- 52 -
8.3	Serial Port Tab Functions.....	- 53 -
8.3.1	Disable TCP Transmission Delay - ①.....	- 53 -
8.3.2	Separator - ②.....	- 53 -
8.3.3	TELNET COM port Control Option (RFC 2217) - ③.....	- 54 -
8.3.4	TCP Server / Client mode - ④.....	- 54 -
8.4	Factory Reset.....	- 55 -
9	Checklist in Trouble.....	- 56 -
9.1	Searching problem with ezManager.....	- 56 -
9.2	Connection Problem over TCP/IP.....	- 57 -
9.3	Data Communication Problem on the Serial.....	- 58 -

10	Related Material	- 59 -
10.1	Technical Documents	- 59 -
10.2	Smart phone Application	- 59 -
11	Technical Support and Warranty	- 60 -
11.1	Technical Support	- 60 -
11.2	Warranty	- 60 -
11.2.1	<i>Refund.....</i>	<i>- 60 -</i>
11.2.2	<i>Free Repair Services</i>	<i>- 60 -</i>
11.2.3	<i>Charged Repair Services.....</i>	<i>- 60 -</i>
12	Precaution and Exemption from Liability	- 61 -
12.1	Precaution.....	- 61 -
12.2	Exemption from Liability.....	- 62 -
12.2.1	<i>English version.....</i>	<i>- 62 -</i>
12.2.2	<i>French version.....</i>	<i>- 63 -</i>
13	History	- 65 -

1 Overview

1.1 Overview

CSE-M24 is a module for manufacturers who want to quickly and easily embed Ethernet connectivity in their products. This module helps your devices get network connectivity with just serial connection. Using this module, not only you can reduce cost and risk, but also you can shorten development time to add the network capability. Because CSE-M24 allows to extend the distance of your serial communication system, you are able to remotely control and monitor the serial devices over the Internet. Since CSE-M24 has 4 UART interfaces, it could be an ideal solution for environments where multiple serial devices are used.

1.2 Main Features

- Serial to Ethernet Module
- EZL-410 Pin to Pin compatibility
- IPv4 / IPv6 dual stack
- Stateless / Stateful (DHCPv6) address auto configuration
- High speed UART x 4 (up to 460.8Kbps)
(In case of using Xon/Xoff or RS422/485, the maximum data rate of the UART is limited to 230.4Kbps)
- 3.3V TTL Level, available on RS232/RS422/RS485 extension
- Variety of monitoring status (ezManager, Telnet)
- Separator settings for packet fragmentation

1.3 Application Examples

- 1:1 Connection with a PC

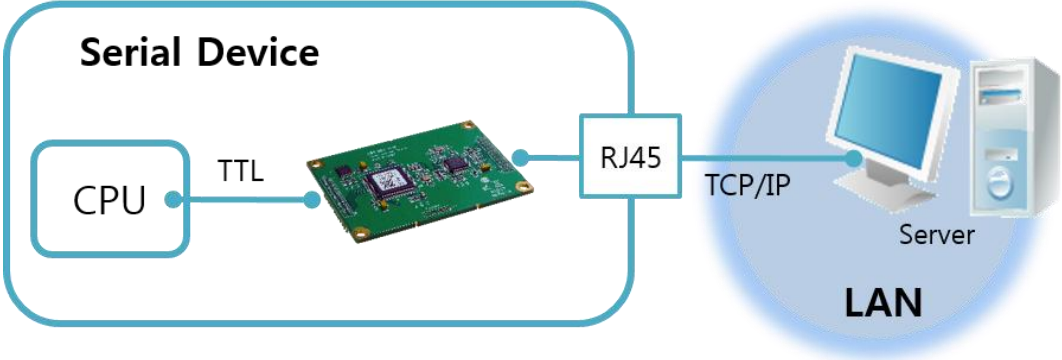


Figure 1-1 1:1 connection with a PC

- Applied to LANs

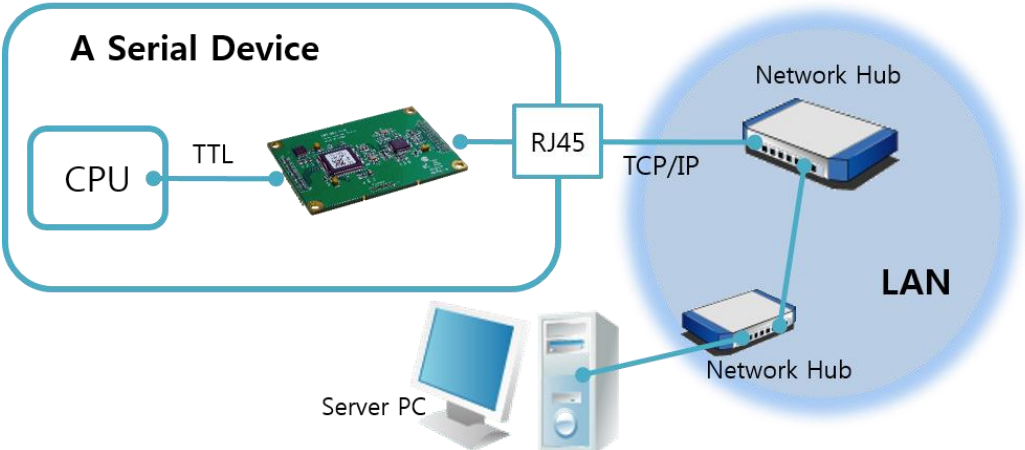


Figure 1-2 applied to LANs

- Applied to the Internet on Cable Networks

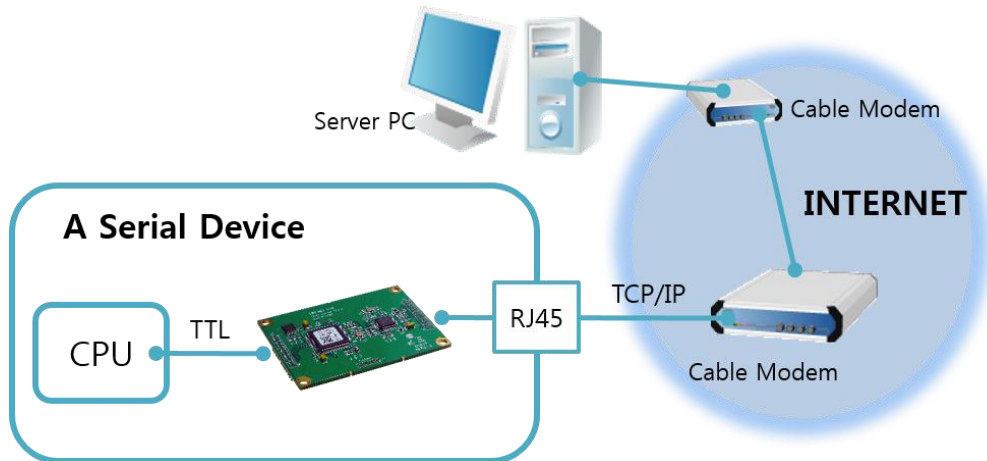


Figure 1-3 applied to the Internet on cable networks

- Applied to the Internet with an IP Share Router

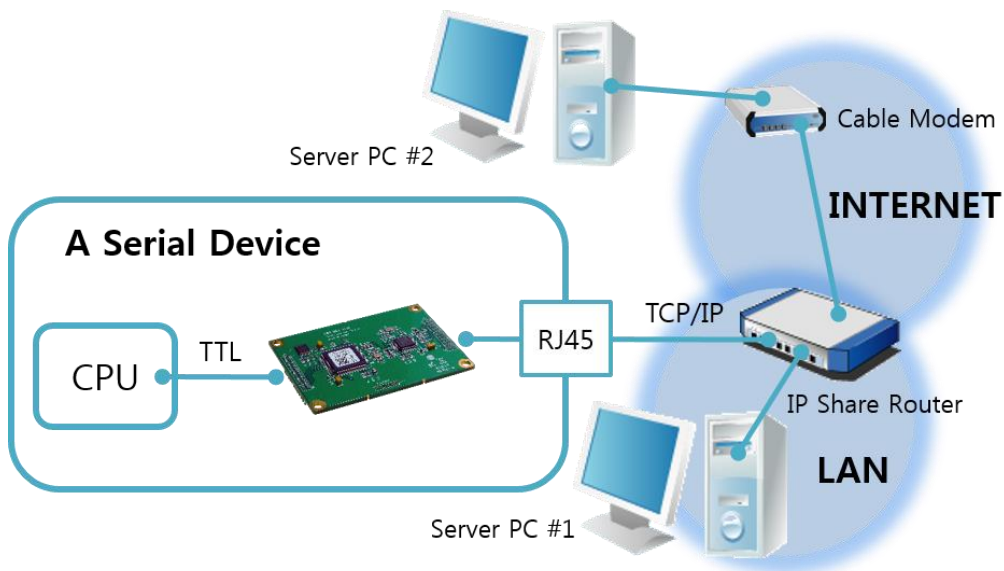


Figure 1-4 applied to the Internet with an IP share router

1.4 Components

- CSE-M24's Body
- Evaluation Board for CSE-M24 (Optional)
- RS232 Cross Cable (Optional)
- DC 5V Power Adapter (Optional)

1.5 Specification

1.5.1 Hardware

Power	Input Voltage	DC 3.3V
	Current consumption	270mA typical
Dimension	70 mm x 50 mm x 9 mm	
Weight	About 16g	
Interface	Serial Port	4 x UART – 3.3V TTL (RS232 300bps ~ 460,800bps RS422/485 300bps ~ 230,400bps)
	Network	10 Base-T or 100 Base-TX Ethernet Auto-Sensing Auto MDI or MDIX cable Auto-Sensing
Temperature	Operating: 0 ~ 70°C, Storage: -40 ~ 85°C	
RoHS	RoHS Compliant	

Table 1-1 hardware specification

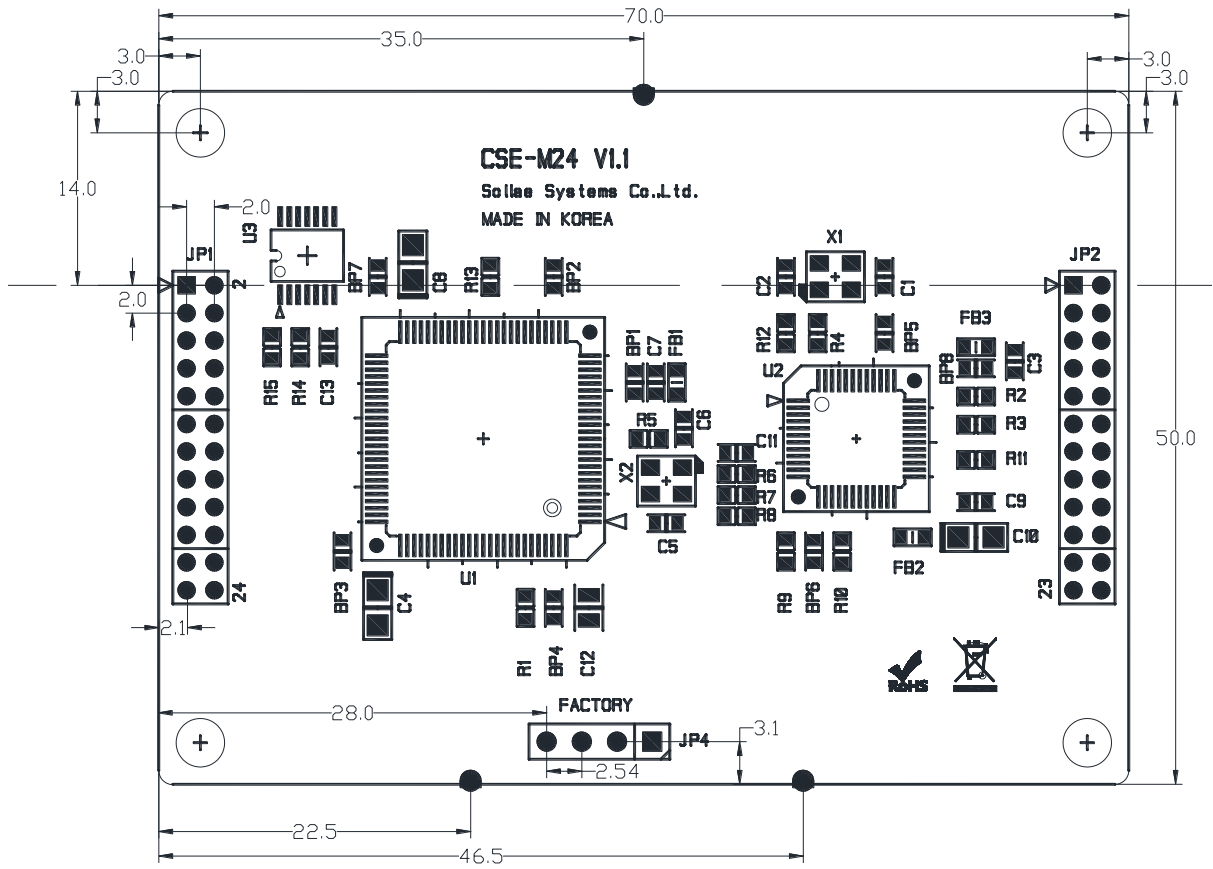
1.5.2 Software

Protocol	TCP, UDP, IPv4/IPv6 dual stack, ICMPv6/TCPv6/UDPv6 ICMP, ARP, DHCP, PPPoE, DNS, DDNS(Dynamic DNS), Telnet, Telnet COM Port Control Option (RFC 2217)	
Operation mode	Normal	For Normal Data Communication
	ISP	For Upgrading F/W
	Serial Configuration	For Configuration via Serial
Communication mode	TCP Server	TCP Passive Connection
	TCP Client	TCP Active Connection
	AT Command	TCP Passive / Active Connection
	UDP	UDP – No Connection
Major Utilities	ezManager	Configuration Utility for MS Windows (Supports Downloading F/W)
	ezVSP	Serial to TCP/IP Virtual driver for MS Windows

Table 1-2 software specification

1.5.3 Dimension

The dimension of CSE-M24 is followed. (Unit: mm)



CSE-M24 Dimension (mm)

Figure 1-5 dimensions of CSE-M24

1.5.4 Pins

- JP1 / JP2 Connector

JP1 and JP2 have headers of 2mm pitch. There are two triangle marks by the first pin (pin number 1) of JP1 and JP2.

JP1	Name	Description	Direction
1	VCC_33	DC 3.3V Power	-
2	VCC_33	DC 3.3V Power	-
3	RESET	Reset (Active Low)	Input
4	ISP	Low : Firmware download mode High : Normal mode (Internally pull-up)	Input
5	GND	Ground	-
6	GND	Ground	-
7	RXD1	Receive Data from Serial Port 1 (COM1)	Input
8	TXD1	Transmit Data to Serial Port 1 (COM1)	Output
9	CTS1	Clear To Send 1 (COM1)	Input
10	RTS1	UART1 RTS (Request To Send, – Low), TXDE in RS485 (Sending data – High)	Output
11	RXD2	Receive Data from Serial Port 2 (COM2)	Input
12	TXD2	Transmit Data to Serial Port 2 (COM2)	Output
13	CTS2	Clear To Send 2 (COM2)	Input
14	RTS2	UART2 RTS (Request To Send, – Low), TXDE in RS485 (Sending data – High)	Output
15	RXD3	Receive Data from Serial Port 3 (COM3)	Input
16	TXD3	Transmit Data to Serial Port 3 (COM3)	Output
17	CTS3	Clear To Send 3 (COM3)	Input
18	RTS3	UART3 RTS (Request To Send, – Low), TXDE in RS485 (Sending data – High)	Output
19	RXD4	Receive Data from Serial Port 4 (COM4)	Input
20	TXD4	Transmit Data to Serial Port 4 (COM4)	Output
21	CTS4	Clear To Send 4 (COM4)	Input
22	RTS4	UART4 RTS (Request To Send, – Low), TXDE in RS485 (Sending data – High)	Output
23	GND	Ground	-
24	GND	Ground	-

Table 1-3 JP1

JP2	Name	Description	Direction
1	GND	Ground	-
2	GND	Ground	-
3	TPTX+	Ethernet Out+	Output
4	TPTX-	Ethernet Out-	Output
5	GND	Ground	-
6	GND	Ground	-
7	TPRX+	Ethernet In+	Input
8	TPRX-	Ethernet In-	Input
9	GND	Ground	-
10	GND	Ground	-
11	RUN_LED	Status LED(Active Low)	Output
12	PWFBOUT	Should be connected as example	Output
13	LINK_LED	Ethernet LINK(Active Low)	Output
14	FDPLX_LED	Full duplex LED (Active High)	Output
15	10M/ACT_LED	10M activity LED (Active High)	Output
16	100M/ACT_LED	100M activity LED (Active High)	Output
17	STS1	Status 1 (Low when TCP connected to serial 1 port)	Output
18	STS2	Status 2 (Low when TCP connected to serial 2 port)	Output
19	STS3	Status 3 (Low when TCP connected to serial 3 port)	Output
20	STS4	Status 4 (Low when TCP connected to serial 4 port)	Output
21	C_RXD	Debugging Console (Factory use only)	Input
22	C_TXD	Debugging Console (Factory use only)	Output
23	VCC_33	DC 3.3V Power	-
24	VCC_33	DC 3.3V Power	-

Table 1-4 JP2

1.5.5 Serial Port Parameters

Parameter	Value
Number	4
Type	TTL(3.3V)
Baud rate	RS232 : 300 ~ 460,800 bps RS422 / RS485 : 300 ~ 230,400 bps
Parity	NONE / EVEN / ODD / MARK / SPACE
Data bit	8 / 7
Stop bit	1 / 1.5 / 2
Flow control	NONE, RTS/CTS, Xon/Xoff

Table 1-5 serial port parameters

☞ ***You need to set parity to use 7 bit as a data bit except NONE.***

1.5.6 An Application Circuit

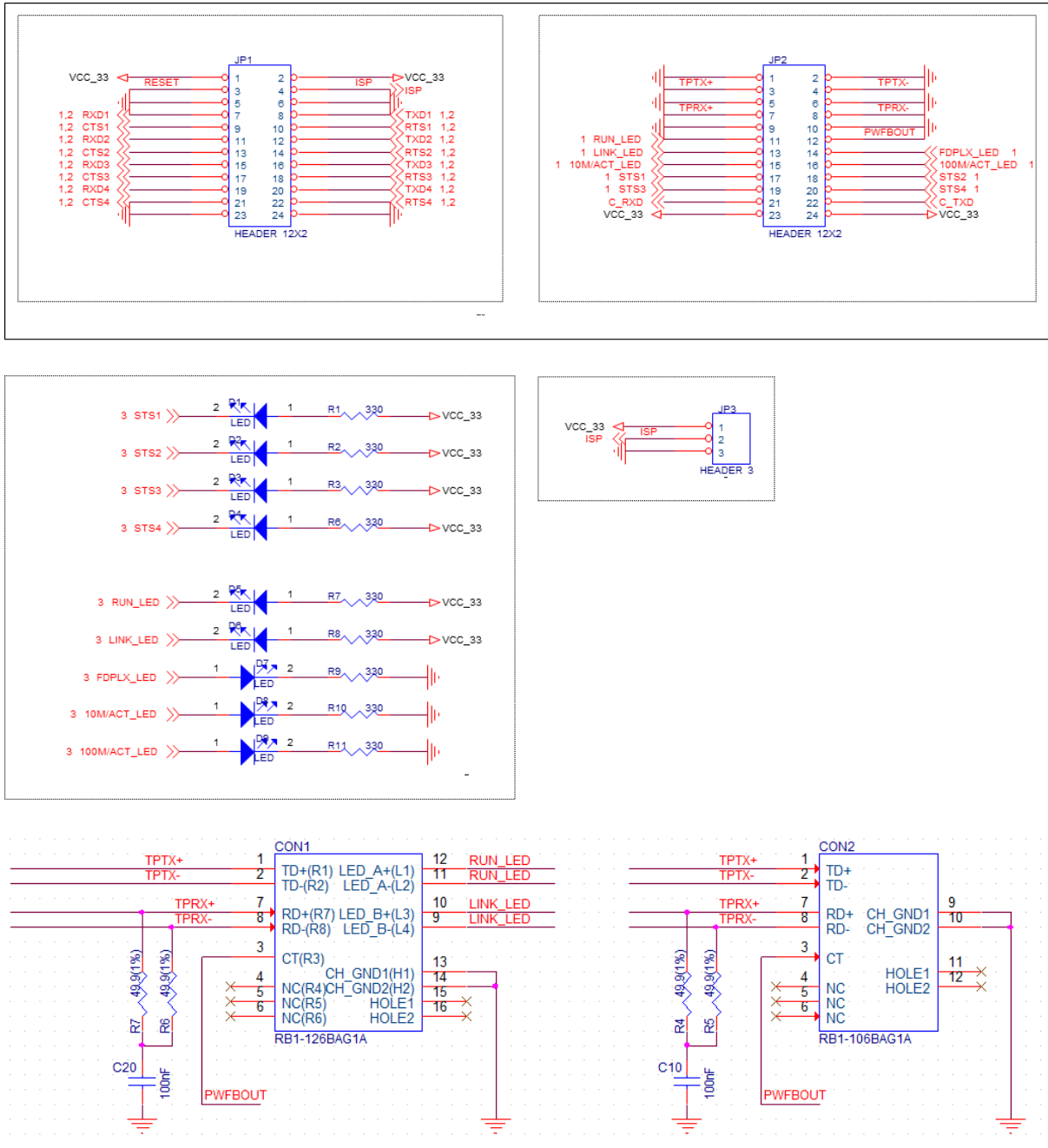


Figure 1-6 an Application Circuit

You must use a RJ45 with a transformer embedded.

2 Installation and Test

2.1 Installation

Before testing CSE-M24, users should connect both serial and Ethernet port to a PC. It will be no problem that the Ethernet connection includes network hubs. In this document, whole processes are written assume that using it with evaluation board.

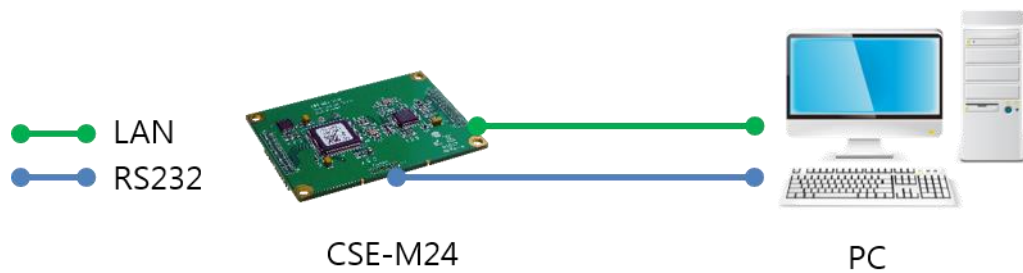


Figure 2-1 connection between CSE-M24 and a PC

Procedures for the test are followed.

2.1.1 Setting Network Aera

This step is for setting both CSE-M24 and users' PC to be located the same network. If only they are, the TCP connection between them can be established.

- Setting of the PC

Add or change the IP address of the network adapter on your PC like following.

Get into the menu of [Windows Control Panel] >> [Network Connections] >> [Properties of the Network Adapter – with right click of your mouse]. Then, you can show the properties of [Internet Protocol (TCP/IP)]. In there, press the [Advanced..] button for adding an IP Address like the below figure.

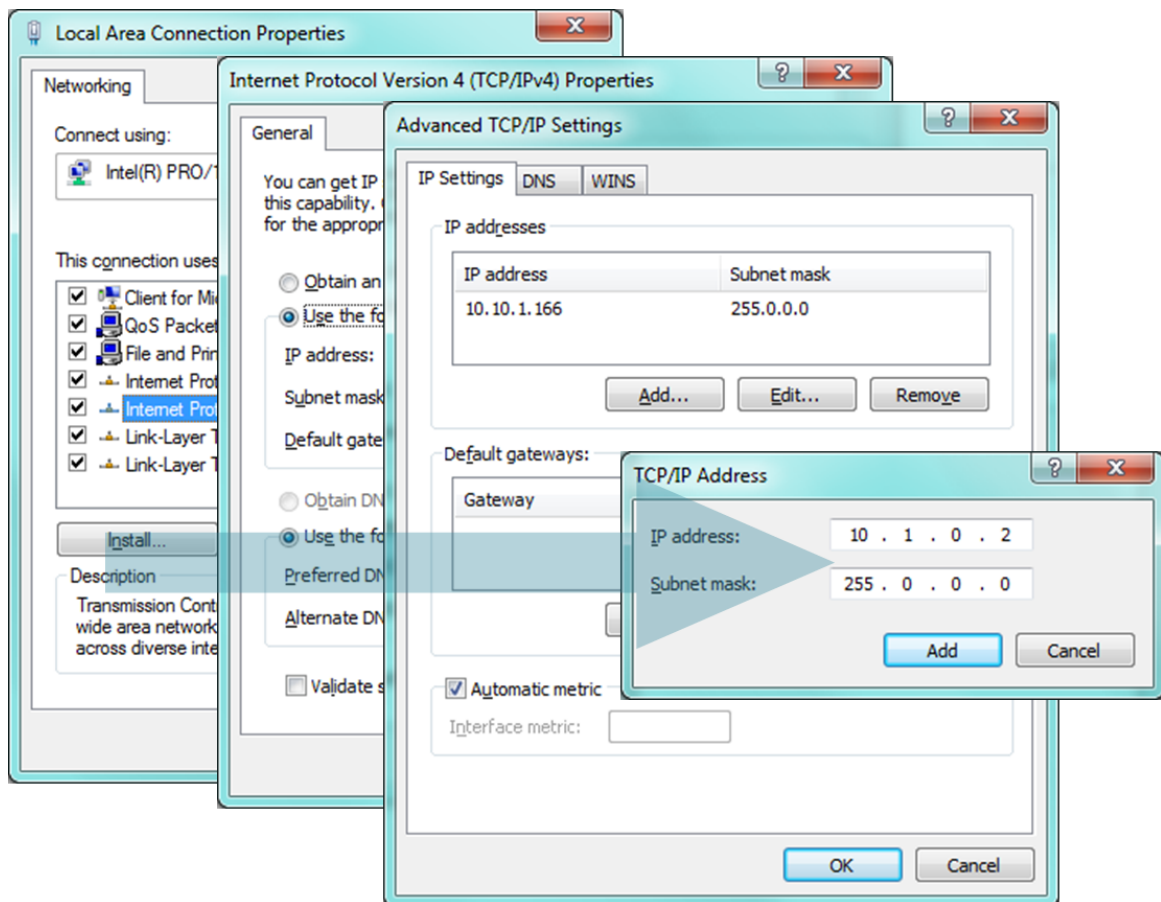


Figure 2-2 adding / changing the IP address of users' PC

- Setting of CSE-M24

CSE-M24 uses ezManager as it's a configuration program. ezManager is for MS Windows, and this is comfortable to use because it doesn't need installation.

First, search your CSE-M24 via network. All the values of parameters are set the default values in the factory. To apply it to your system, proper values should be set via ezManager.

Major parameters' default values are listed on below table. To implement this simple test, keep these values without any changes.

Name		Default Values
Network	Local IP Address	10.1.0.1
	Subnet Mask	255.0.0.0
	IPv6	NONE
Option	TELNET	Checked
	IP Address Search	Checked
Serial Port (COM1 ~COM4)	Serial Type	RS232
	Baud Rate	19,200bps
	Parity	NONE
	Data Bits	8
	Stop Bit	1
	Flow Control	NONE
	Communication mode	TCP Server
Local Port	COM1: 14700 COM2: 14701 COM3: 14702 COM4: 14703	

Table 2-1 default values of Major parameters

☞ ***Refer to ezManager website for more details.***

2.2 Simple Test

If you press the [Simple Test] button, test program will be shown on your screen.

- Connecting to the CSE-M24 via LAN

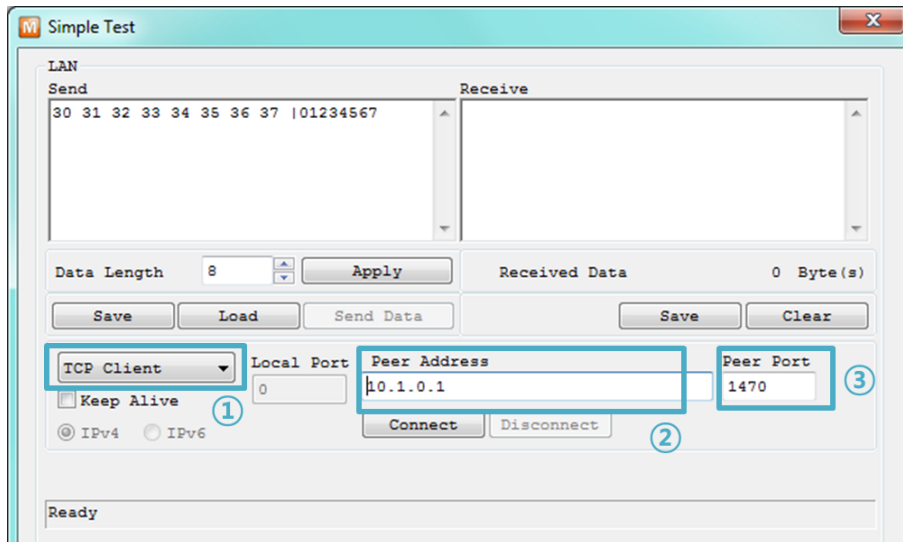


Figure 2-3 settings for TCP connection

- ① Select [TCP Client]
 - ② Input correct IP address and port number of CSE-M24
 - ③ Click the [Connect] button. (In case of TCP Server, it will be [Listen] button)
- Opening RS232 Port

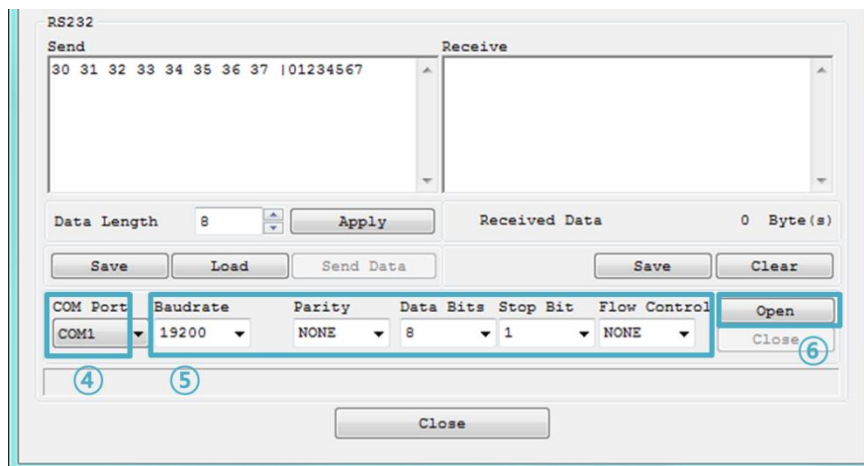


Figure 2-4 opening COM Port

- ④ Select COM port which the CSE-M24 is connected to
- ⑤ Make sure that all the parameters are the same with CSE-M24
- ⑥ Press the [Open] button

- Confirm the TCP Connection and COM port status

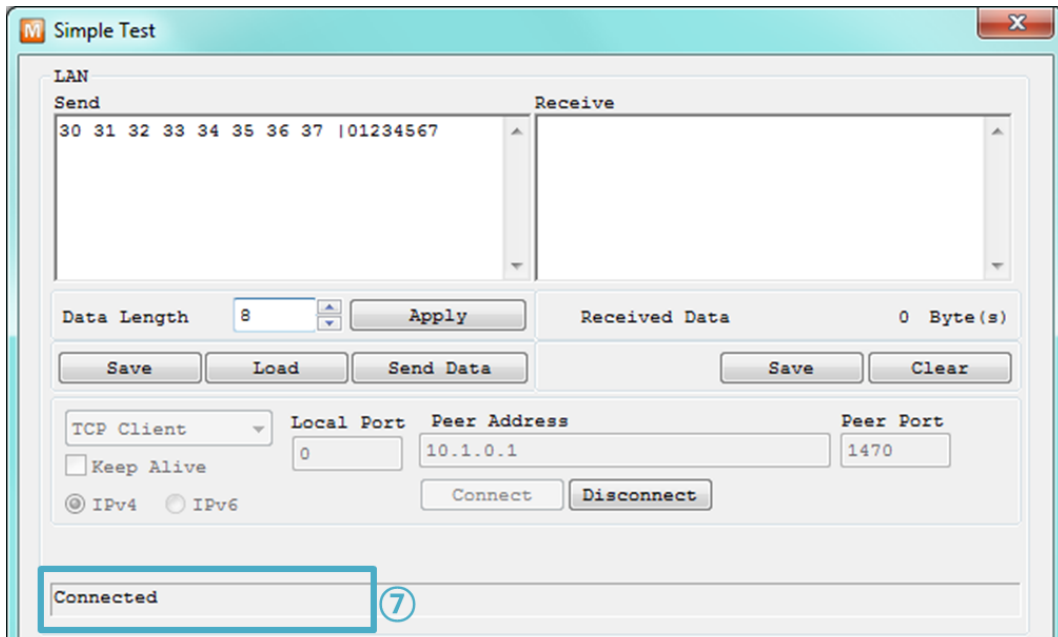


Figure 2-5 TCP connected message

- ⑦ Check the message if the TCP connection is established

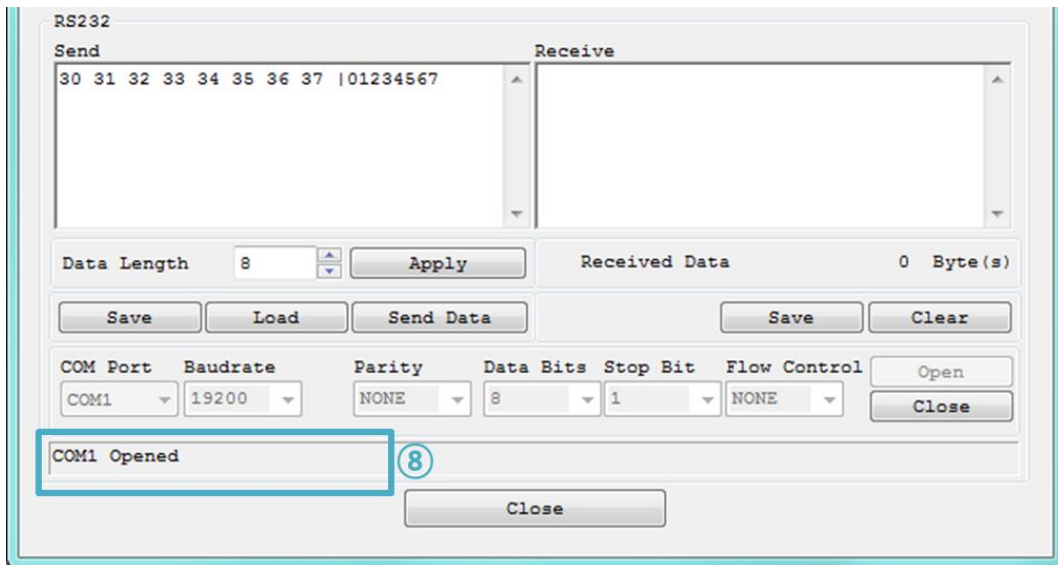


Figure 2-6 COM Port open message

- ⑧ Check the message if the COM port has been opened

- Data transmission test

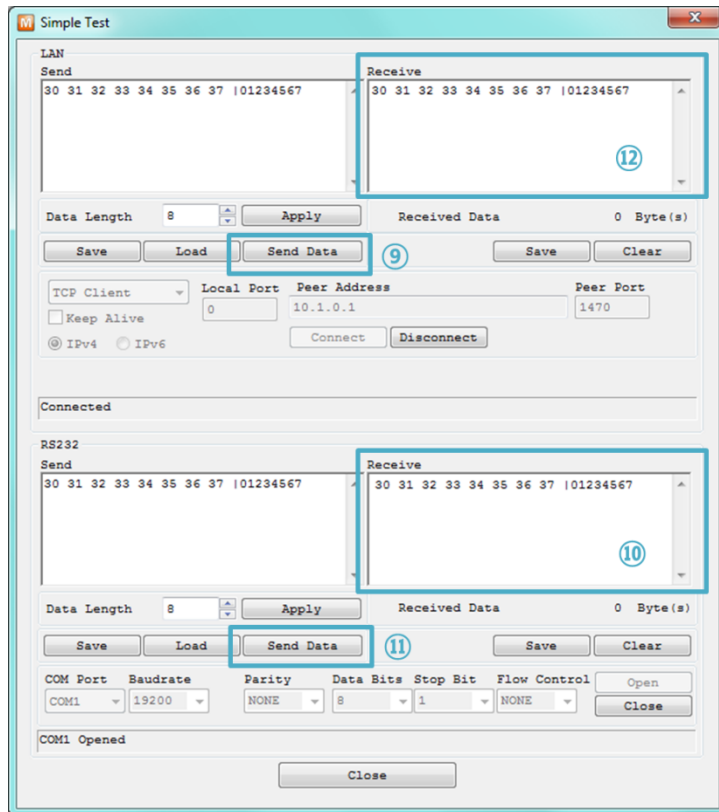


Figure 2-7 successful data transmission

- ⑨ Click the [Send data] on the LAN part
- ⑩ Check the data have been shown from the step ⑨

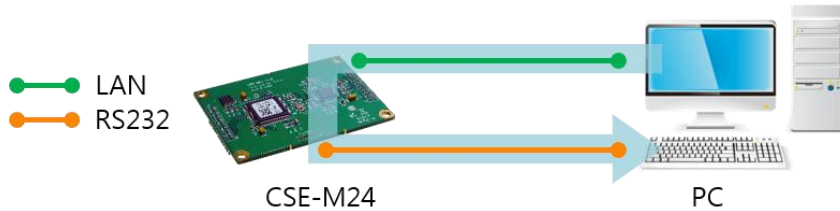


Figure 2-8 LAN → RS232

- ⑪ Press the [Send data] on the RS232 part
- ⑫ Check the data have been received from the step ⑪

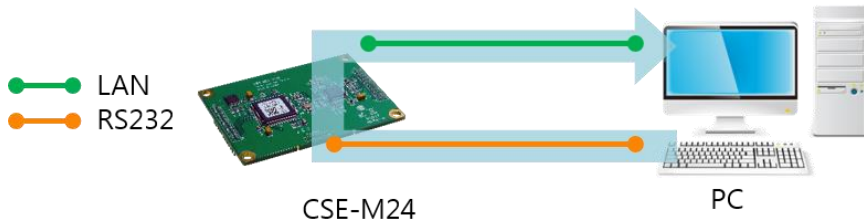


Figure 2-9 RS232 → LAN

3 Configuration

3.1 Configuration with ezManager

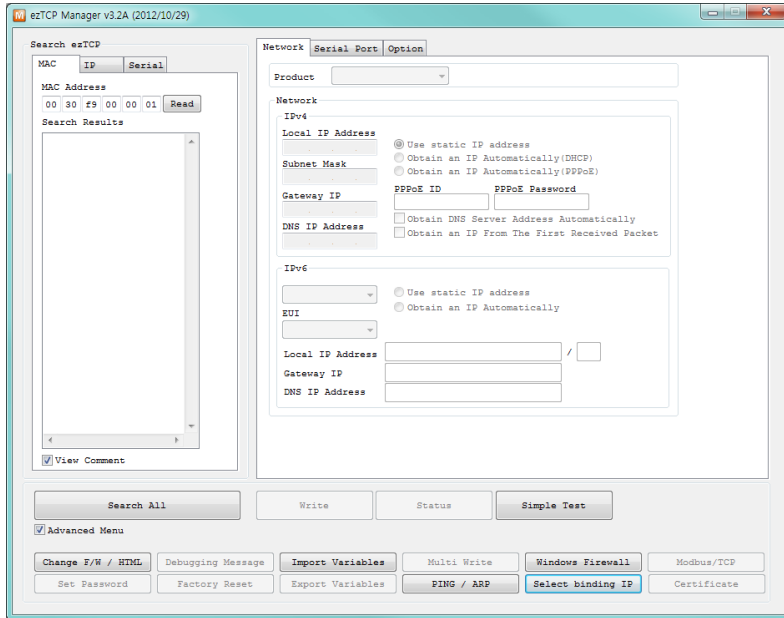


Figure 3-1 initial appearance of ezManager

3.1.1 Configuration via LAN

- Checklists

Make sure the connection between your PC and CSE-M24. If they are the same network, [MAC Address search] button can be used. If they aren't, only [IP Address search] is allowed to use.

- Procedures

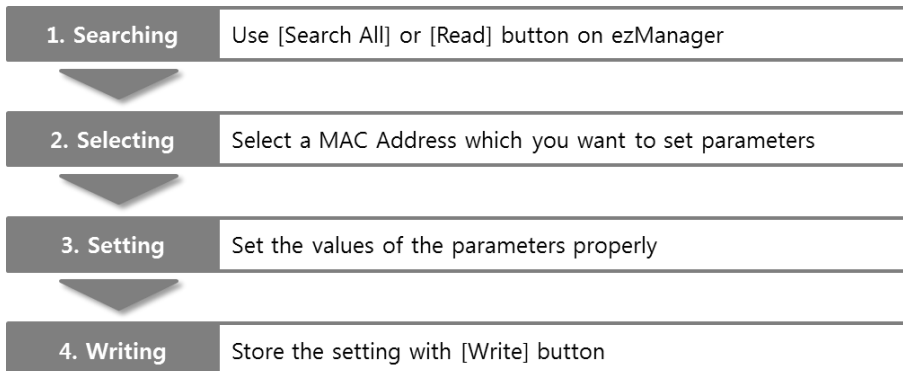


Figure 3-2 procedures for configuration via LAN

3.1.2 Configuration via Serial

- Checklists

Make sure the connection between your PC and COM1 port of CSE-M24 using RS232 cross cable. To use this, CSE-M24 has to be operating in the [Serial Configuration] mode. By connecting ISP pin with GND (LOW) less than 1 second, you can enter the mode. After this, read the setting via [Serial] tab on ezManager.

- Procedures

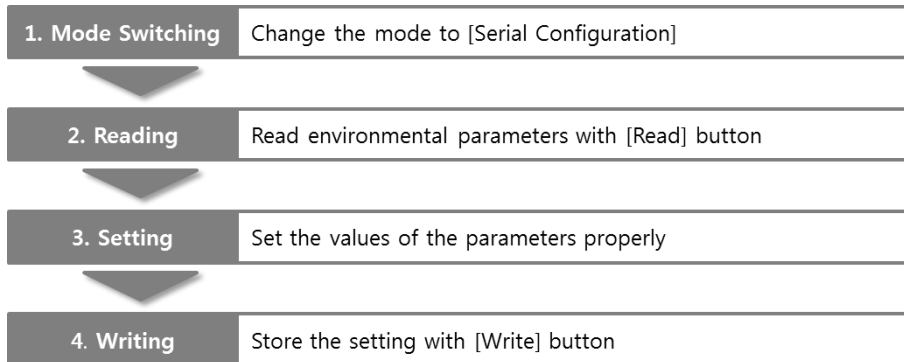


Figure 3-3 procedures for configuration via Serial

- Step 2, Reading

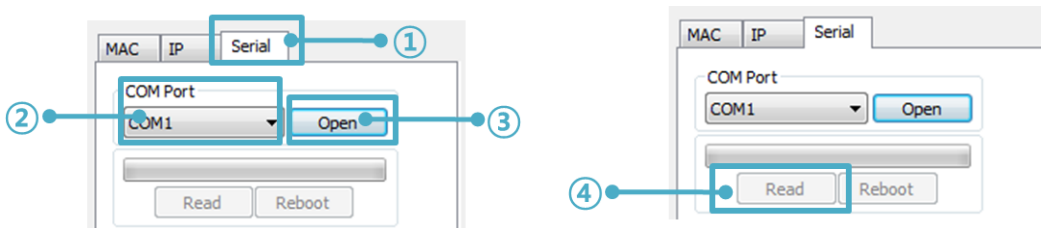


Figure 3-4 reading procedure via serial

- ① Choose the [Serial] tab
- ② Select the COM port which the CSE-M24 is connected with
- ③ Open the COM port with the [Open] button
- ④ Load the setting with [Read] button

Refer to the [ezManager] manual on our website for details.

3.2 AT command

In the AT command mode, you can change some parameters through the serial port.

- Checklists

Make sure the connection between your PC and CSE-M24 using RS232 cross cable. To use this, CSE-M24 has to be set to [AT command] mode as its communication mode. This can be configured by ezManager.

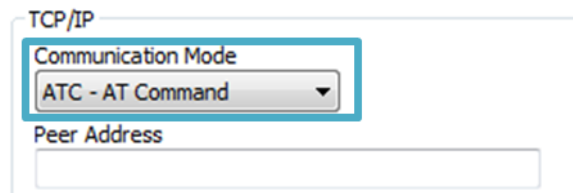


Figure 3-5 setting the communication mode to the AT command

- Procedures

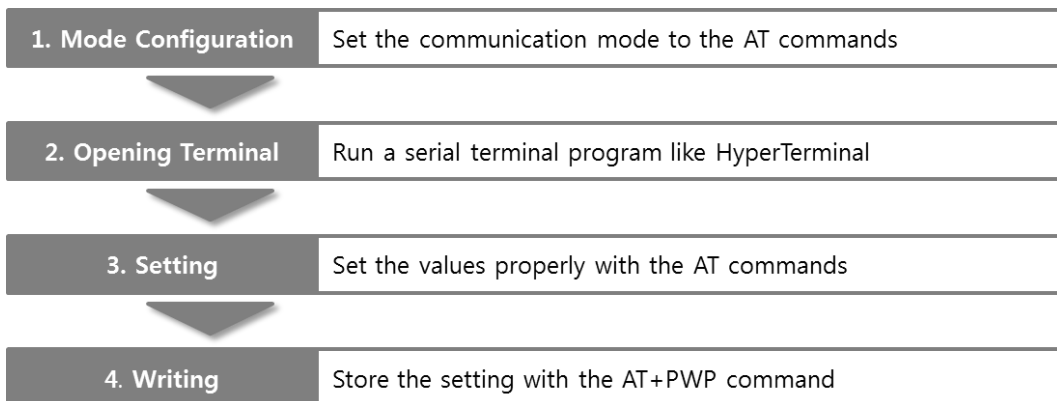


Figure 3-6 procedures for configuration with AT command

Division	Available parameters
IP Address related items	Local IP Address, DHCP, PPPoE, Subnet Mask, Gateway IP Address, DNS IP Address, ...
TCP connection related items	Local Port, Peer Address (IP Address or Host name), Peer Port, ...
Option	ESC code sending option, timeout, ...

Table 3-1 parameters which are available to change with AT command

☞ ***Including above items, rest of parameters can be set by ezManager***

4 Operation Modes

4.1 What is the Operation Mode?

Each of three operation mode of CSE-M24 is defined for specific purpose, and those are followed.

- Normal mode
This mode is for normal data communication and has 4 different connection modes. Configuring parameters is also available in this mode.
- Serial configuration mode
This mode is for configuring environmental parameters through the RS-232 port.
- ISP mode
This mode is for upgrading firmware. In addition, you can set environmental parameters even though the security options like password are activated by entering this mode.

4.2 How to entering each mode

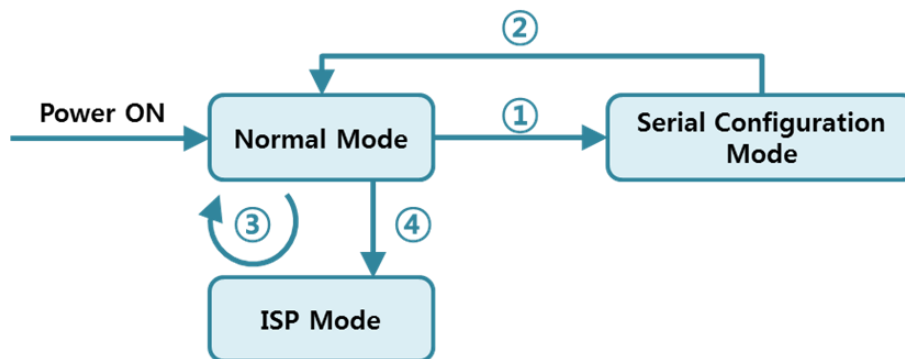


Figure 4-1 how to entering each mode

- ① Put the ISP pin into GND less than 1 second.
- ② Reset or "g 0" command
- ③ Transfer a firmware by ezManager
- ④ Put the ISP pin into GND more than 1 second.

4.3 Comparison with each mode

Name	Serial port	Serial type
Normal	configured value	RS232/RS422/RS485
Serial Configuration	115,200/N/8/1	RS232/RS422
ISP	-	-

Table 4-1 comparison of each mode

4.4 Normal Mode

In normal mode, there are four connection types to communication with a remote host.

Mode	Description
TCP Server	Wait connection request from TCP clients (Passive Connection)
TCP Client	Send connection request to a TCP server (Active Connection)
AT Command	Control connections by AC commands (Active / Passive Connection)
UDP	Communicate in block units without connection

Table 4-2 comparison of communication mode

Name	Protocol	Connection	Modifying software of serial devices	Serial configuration	Topology
TCP Server	TCP	Passive	-	Unavailable	1:1
TCP Client		Active	-	Unavailable	1:1
AT Command		Either	Required	Available	1:1
UDP	UDP	-	-	Unavailable	N:M

Table 4-3 comparison of four communication modes

4.5 Serial Configuration Mode

This is a mode for setting environmental parameters through RS232 port. If you can't use the Ethernet, this mode is only way to configure the values. Once entering this mode, use the [Read] button on the [Serial] tab of ezManager. (Figure 3-4)

☞ *Refer to the [Serial Management Protocol] document on our website for details.*

4.6 ISP Mode

You can enter this mode by putting the ISP pin into GND more than 1 second. There are two special purposes in this mode.

4.6.1 Upgrading Firmware

ISP mode is for upgrading firmware which is offered by us. The upgrade is implemented on Ethernet.

☞ *The details are followed in the "6.1 Upgrading Firmware".*

4.6.2 Revoking Security Options

CSE-M24 offers restriction methods for security like filtering password or MAC and IP address. In the ISP mode, you can revoke all of these. When you forget the password, enter the ISP mode to solve the problem.

5 Communication Modes

5.1 TCP Server

In this mode, CSE-M24 functions as a TCP server. CSE-M24 listens to a TCP connection from remote host. Once a host tries to connect to CSE-M24, it responds that request. After the connection is established, CSE-M24 converts the raw data from the serial port to TCP/IP data and sends them to the network and vice versa.

5.1.1 Key parameters

- Local Port

This is a server's port number which is used in the TCP connection.

- Event Byte

With setting event bytes, users can handle the serial data before a TCP connection is established.

Value	Description
0	CSE-M24 doesn't send the data
Otherwise (512 or under)	CSE-M24 sends the data right after a connection is established. 512 or under bytes are strongly recommended.

Table 5-1 event byte

- Timeout

If there is no transmission of data for amount of time which is set to this parameter, CSE-M24 tries to terminate established TCP connection.

- Notify IP Change

This function is for notifying information about changed IP address to a server. Not only the TCP/UDP protocol but Dynamic Domain Name Service (DDNS) can be used.

- Restriction of Access

Users can block TCP connections from unauthorized hosts by using this option. Both IP and MAC address are available.

5.1.2 Examples

- A situation that [Event Byte] is set to 0.

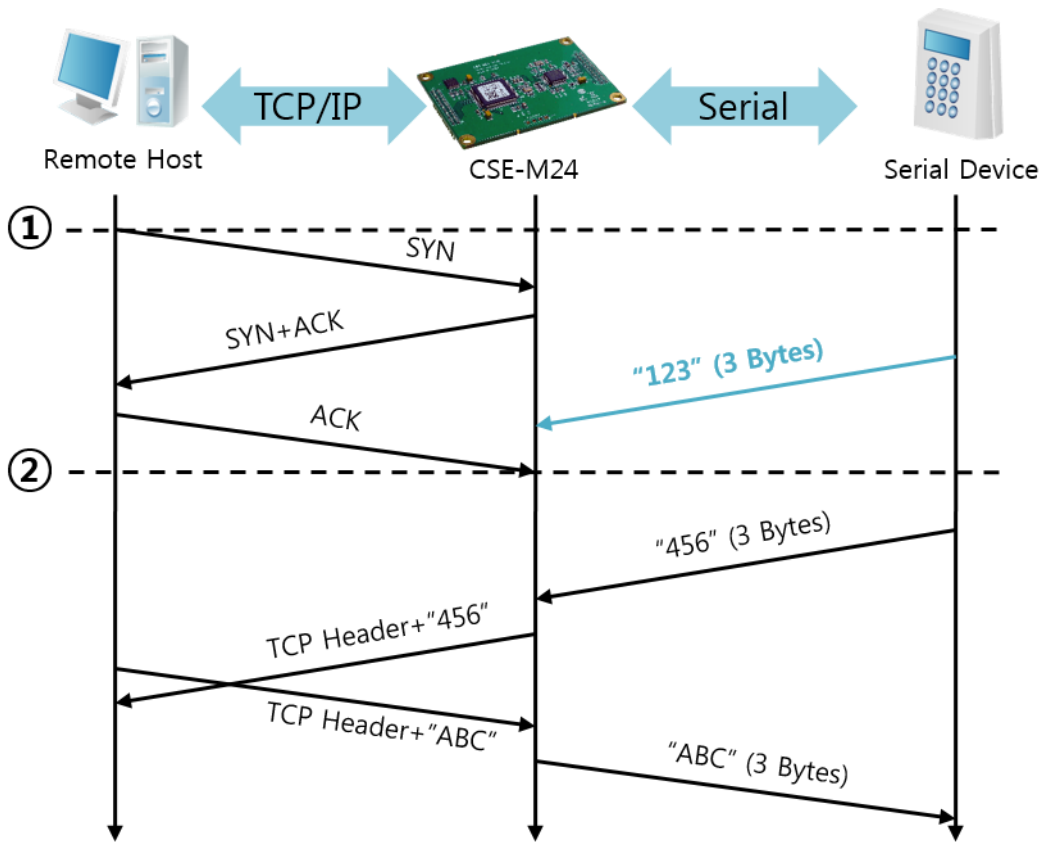


Figure 5-1 time chart for a situation that [Event Byte] is set to zero

Points	States
~	CSE-M24 is listening to connection requests
①	Remote host has sent a connection request (SYN) segment
~	Processes of the connection
②	The connection has been established
~	Data communication on both sides

Table 5-2 states of each points

Look at the blue arrow. The data "123" from the serial port had sent before the connection is established. In this case, the data wasn't sent because of the [Event Byte] is set to 0.

- A situation that [Event Byte] is set to 1.

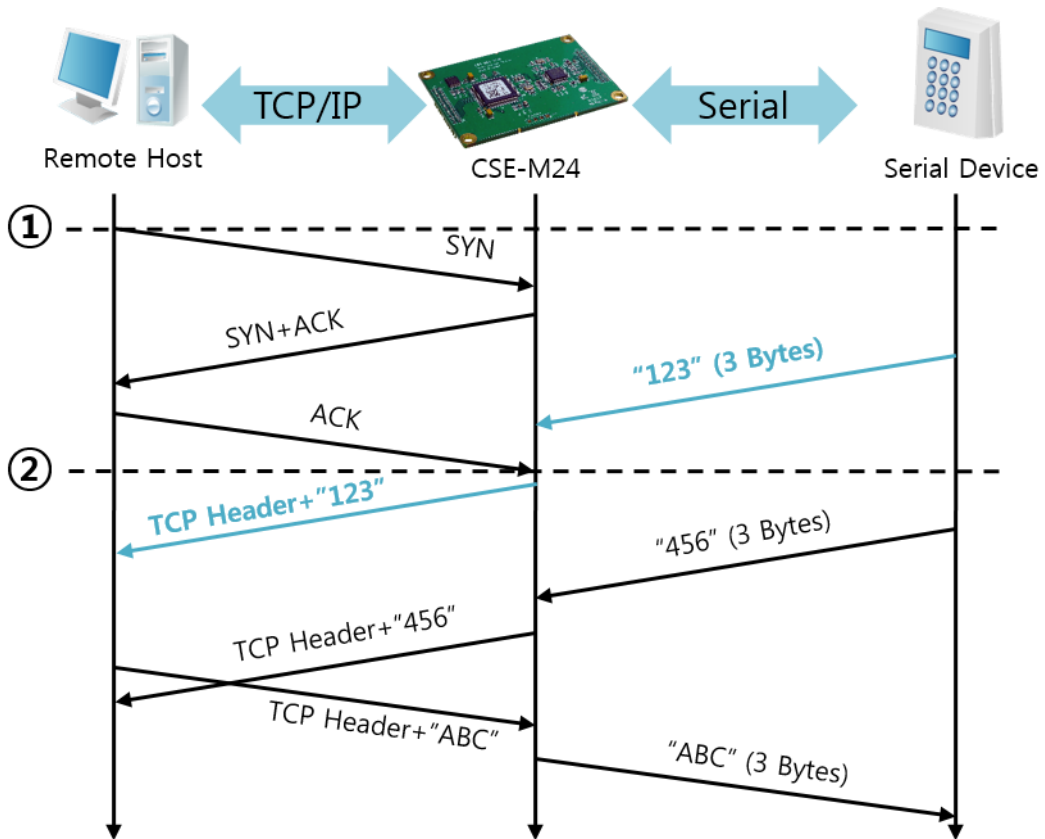


Figure 5-2 time chart for a situation that [Event Byte] is set to 1

Points	States
~	CSE-M24 is listening to connection requests
①	Remote host has sent a connection request (SYN) segment
~	Processes of the connection
②	The connection has been established
~	The data "123" has been sent right after the end of connection processes

Table 5-3 states of each points

As you can see, the data "123" has been sent right after the connection is established because the value of [Event Byte] had been set to 1. If the value is not 0, the result is the same as above example.

- A situation that [Timeout] is set to 5.

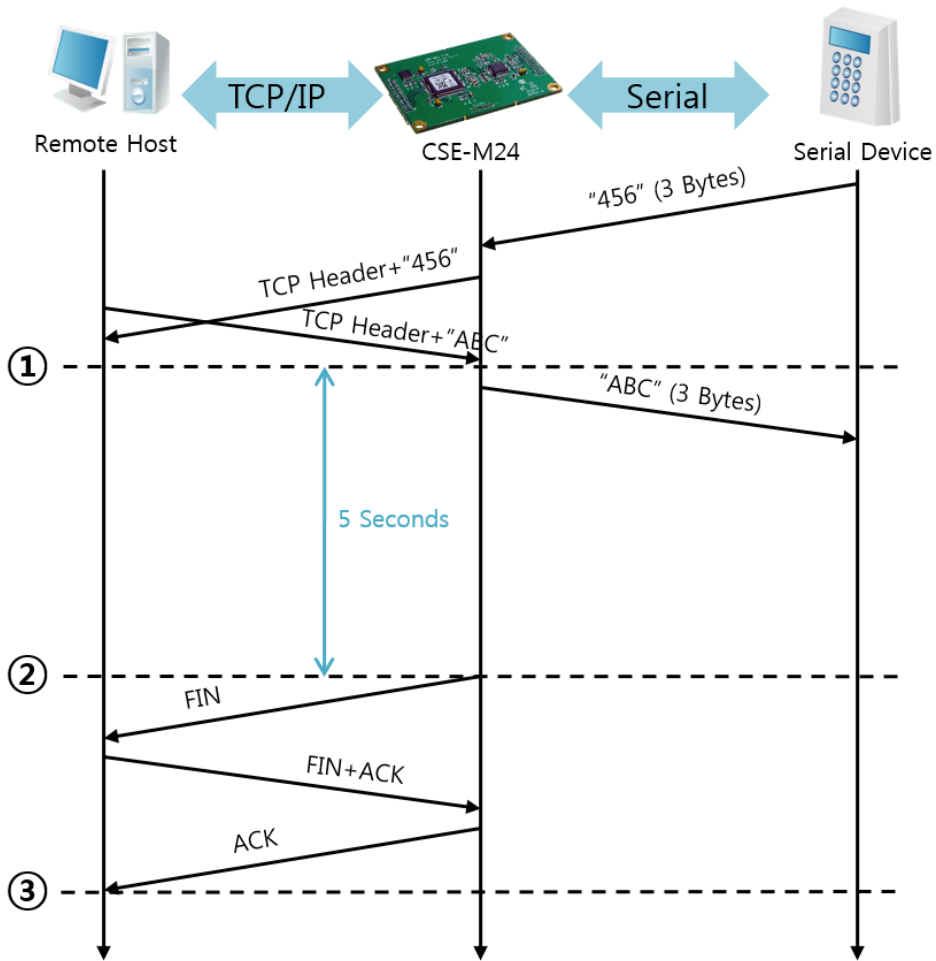


Figure 5-3 time chart for a situation that [Timeout] is set to 5

Points	States
~	Data communication on both sides
①	The last segment has been arrived at the CSE-M24
~	5 seconds are passed with no data communication
②	CSE-M24 has sent disconnection request (FIN) to a remote host
~	Processes of the disconnection
③	The connection has been terminated
~	CSE-M24 is listening to connection requests

Table 5-4 states of each points

5.2 TCP Client

In this mode, CSE-M24 sends request segments to a TCP server with information of [Peer Address] and [Peer Port]. Once a host is listening, the connection will be established. After then, CSE-M24 converts the raw data from the serial port to TCP/IP data and sends them to the network and vice versa.

5.2.1 Key parameters

- Peer Address

This part is to put host name or IP address of TCP server.

- Peer Port

[Peer Port] is a port number of TCP server.

- Event Byte

CSE-M24 decides the time to send the connection request frame with this parameter.

Value	Description
0	Right after CSE-M24 boots up
Otherwise (512 or under)	right after the bytes set to [Event Byte] have been received from the serial port Setting to less than 512 bytes is strongly recommended.

Table 5-5 the operation of Event Byte 1

In addition, users can handle the serial data before a TCP connection is established with this parameter.

Value	Description
0	CSE-M24 does not send the data
Otherwise (512 or under)	CSE-M24 sends the data right after a connection is established. Setting to less than 512 bytes is strongly recommended.

Table 5-6 the operation of Event Byte 2

- Timeout

If there is no transmission of data for amount of time which is set to this parameter, CSE-M24 tries to terminate established TCP connection.

- TCP Server

This check option is enable the TCP server / client mode. In this mode, CSE-M24 can be operated as a TCP server or client without changing its setting.

- DNS IP Address

[DNS IP Address] needs when users use host name instead of the IP address.

5.2.2 Examples

- A situation that [Event Byte] is set to 0.

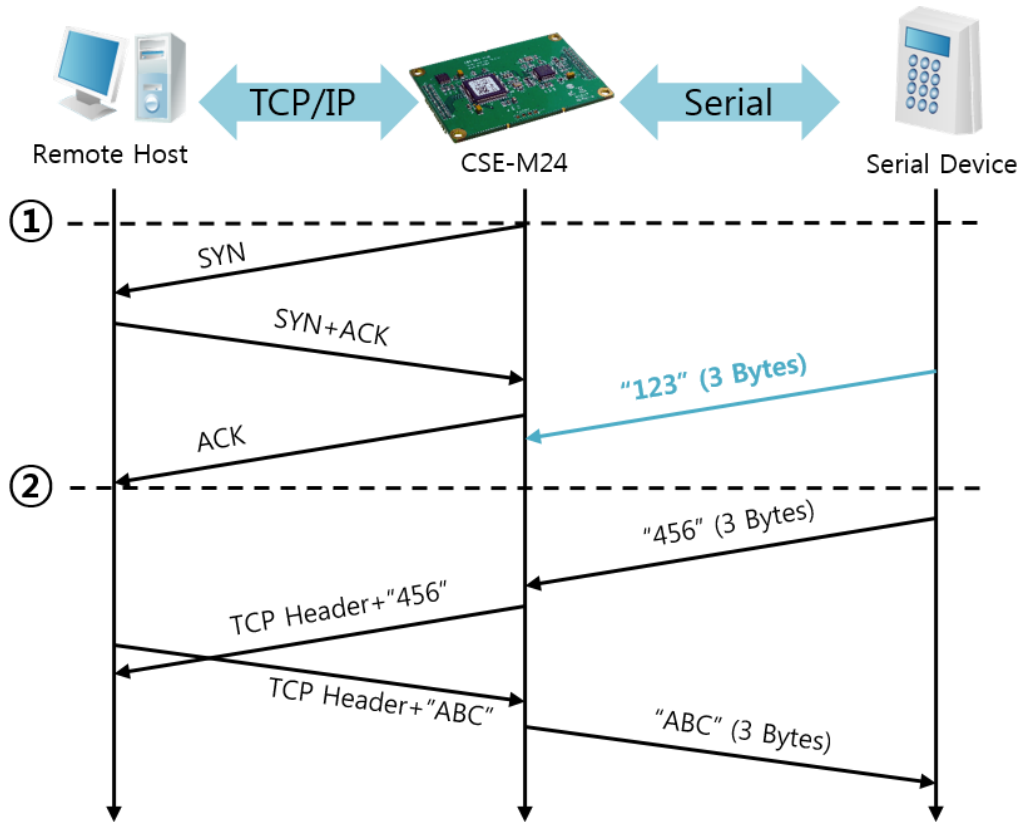


Figure 5-4 time chart for a situation that [Event Byte] is set to 0

Points	States
~	Before the power is supplied
①	Sends TCP connection request segment right after it boots up
~	Processes of the disconnection
②	The connection has been established
~	Data communication on both sides

Table 5-7 states of each points

Look at the blue arrow. The data "123" from the serial port had sent before the connection is established. In this case, the data wasn't sent because of the [Event Byte] is set to 0.

- A situation that [Event Byte] is set to 5.

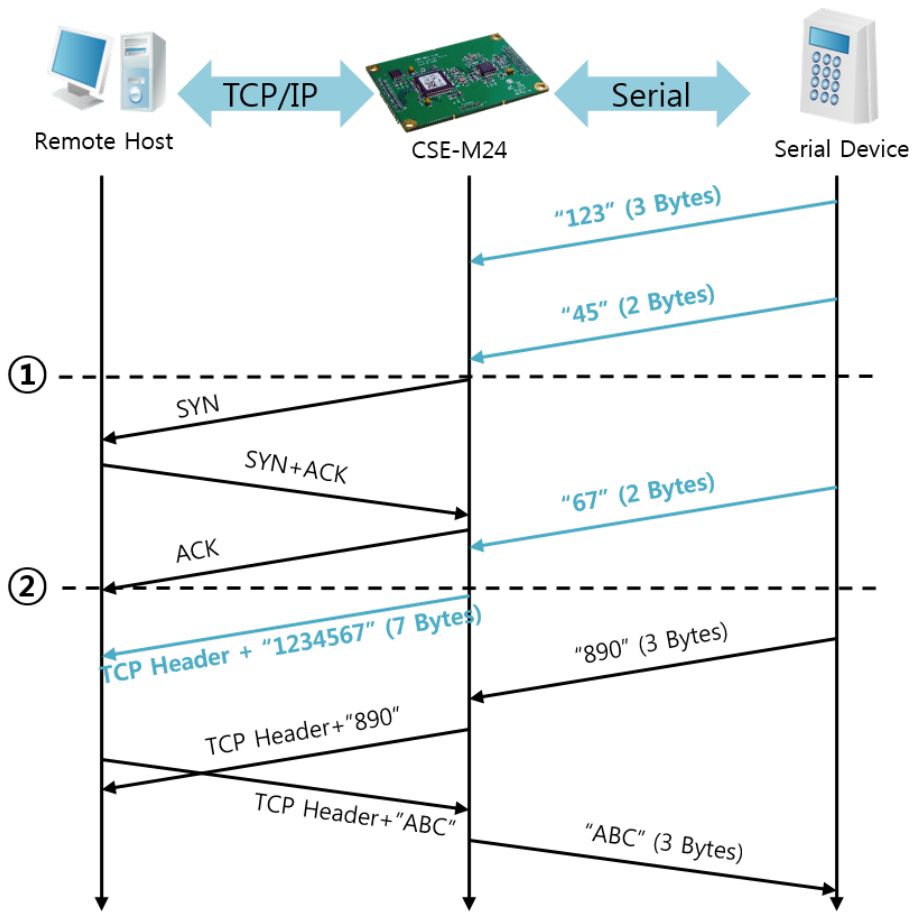


Figure 5-5 time chart for a situation that [Event Byte] is set to 5

Points	States
~	CSE-M24 has receives data from its serial port until the amount of data is 5 bytes
①	Sends connection request segment right after receiving 5 bytes.
~	Processes of the TCP connection
②	The connection has been established
~	The "1234567" is transmitted to the remote host

Table 5-8 states of each points

As you can see in the figure 5-5, CSE-M24 sends request segment right after the serial data had been 5 bytes. Even though those are come before the connection is established, the data "123", "45" and "67" are transmitted to the remote host because of the [Event Byte] is set to 5.

- An activated [TCP Server] option

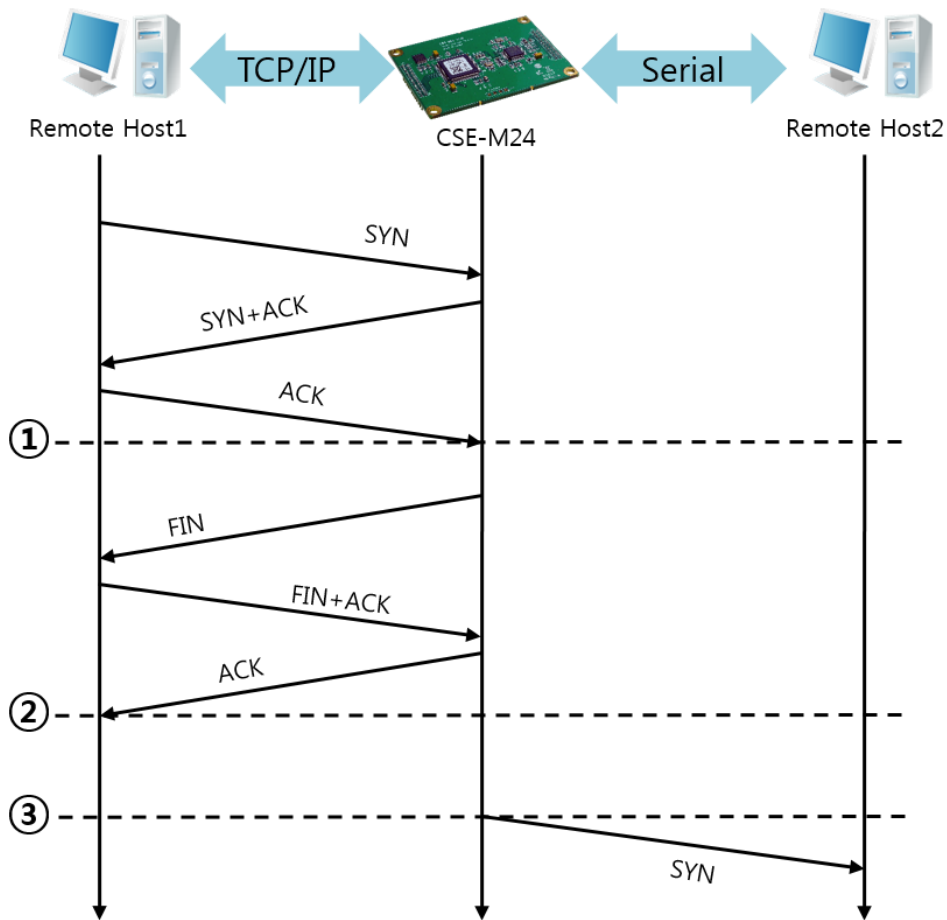


Figure 5-6 time chart for activating [TCP Server] option

Points	States
~	CSE-M24 is listening to connection requests
①	The connection has been established
~	CSE-M24 is on line and processes of the disconnection
②	The connection has been terminated
~	Both sides are offline
③	Sends TCP connection request segment

Table 5-9 states of each points

The TCP Server / Client mode can be useful option by using [Event Byte] and [Timeout]. Note that only one TCP connection can be established at the same time, so users should consider setting [Timeout] properly.

☞ **Refer to the [TCP Server/Client mode] document on our website for details.**

5.3 AT Command

AT command is a mode which users control CSE-M24 with AT command like controlling modem. In this mode, active and passive TCP connections are available. Users are allowed to configure some environmental parameters with extended commands.

5.3.1 Key parameters

The configuration should be implemented via the serial port of CSE-M24.

Commands	Description	Examples
+PLIP	Local IP Address	at+plip=10.1.0.1<CR>
+PLP	Local Port	at+plp=1470<CR>
+PRIP	Peer IP Address	at+prip=10.1.0.2<CR>
+PRP	Peer Port	at+prp=1470<CR>
+PDC	DHCP	at+pdc=1 (ON)<CR>
+PPE	PPPoE	at+ppe=1 (ON)<CR>
+PTO	Timeout	at+pto=10<CR>
+PWP	Store setting	at+pwp<CR>

Table 5-10 some of extended commands for configuration

- Related items with IP Address and Local Port
Local port can be set as well as IP address related parameters like IP Address, Subnet Mask and Gateway IP Address.
- Peer Address / Peer Port
IP address and local port of a remote host are can be set.
- Type of assigning IP address: Manual, DHCP, PPPoE
Not only manual setting, also automatic assigning protocol (DHCP, PPPoE) are available.
- Others
Some of options including [Timeout] can be configured in this mode.

5.3.2 Examples

- TCP Server – setting parameters and passive connection

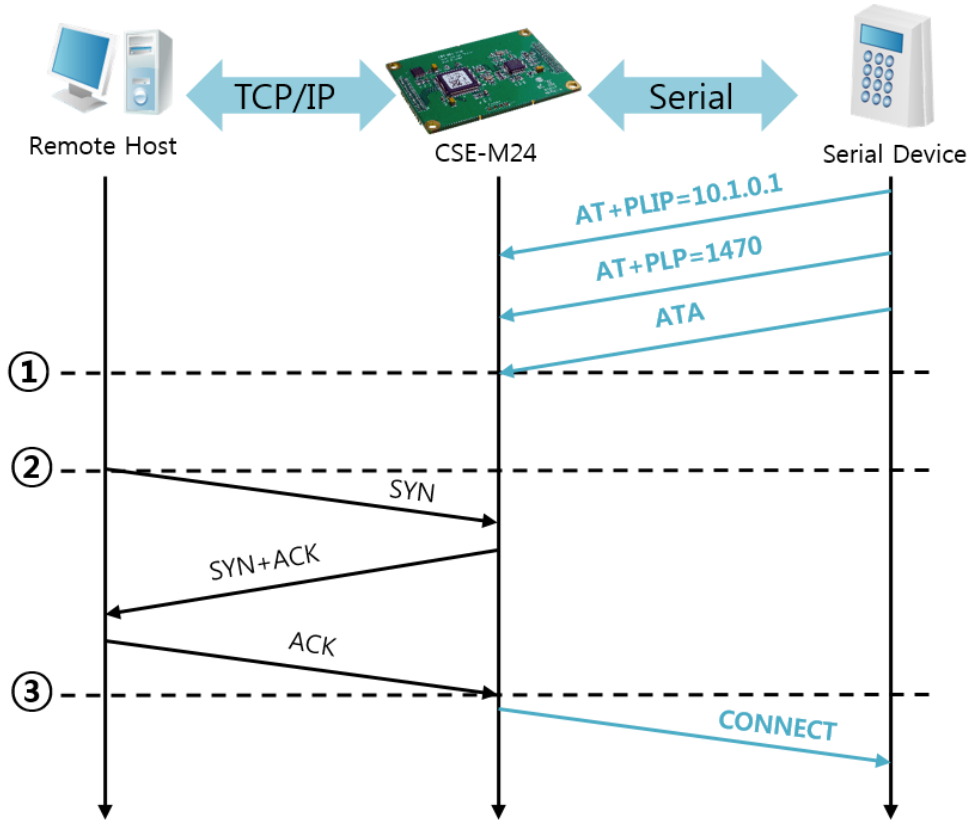


Figure 5-7 TCP passive connection

Points	States
~	Set parameters in the AT command mode
①	CSE-M24 listens TCP connection requests with the ATA command
~	CSE-M24 is listening TCP connection requests
②	A remote host has sent SYN segment to CSE-M24
~	Processes of TCP connection
③	TCP connection has been established
~	CSE-M24 sends "CONNECT" message to the serial port

Table 5-11 states of each points

☞ *Most of the response messages from the serial port of CSE-M24 are omitted on above figure.*

- TCP Client – setting parameters and active connection

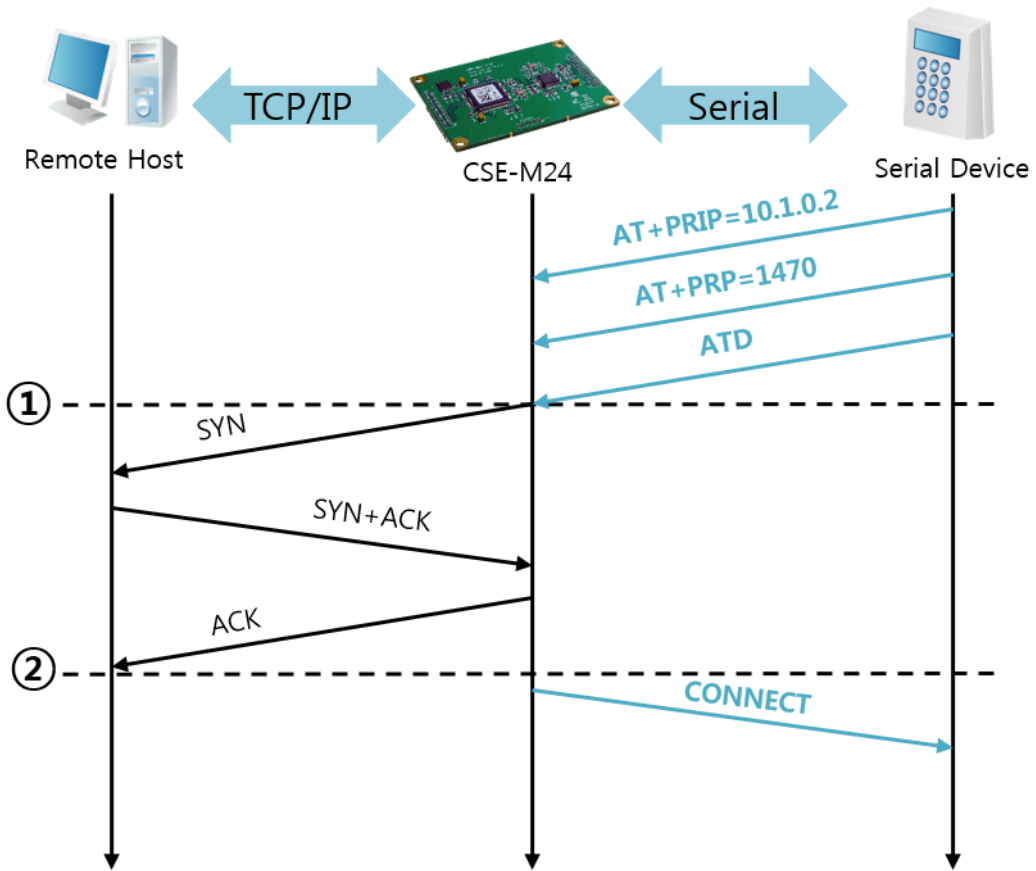


Figure 5-8 TCP active connection

Points	States
~	Set parameters in the AT command mode
①	CSE-M24 sends a TCP connection request with the ATD command
~	Processes of TCP connection
②	TCP connection has been established
~	CSE-M24 sends "CONNECT" message to the serial port

Table 5-12 states of each points

- Termination of online status – entering the AT command mode

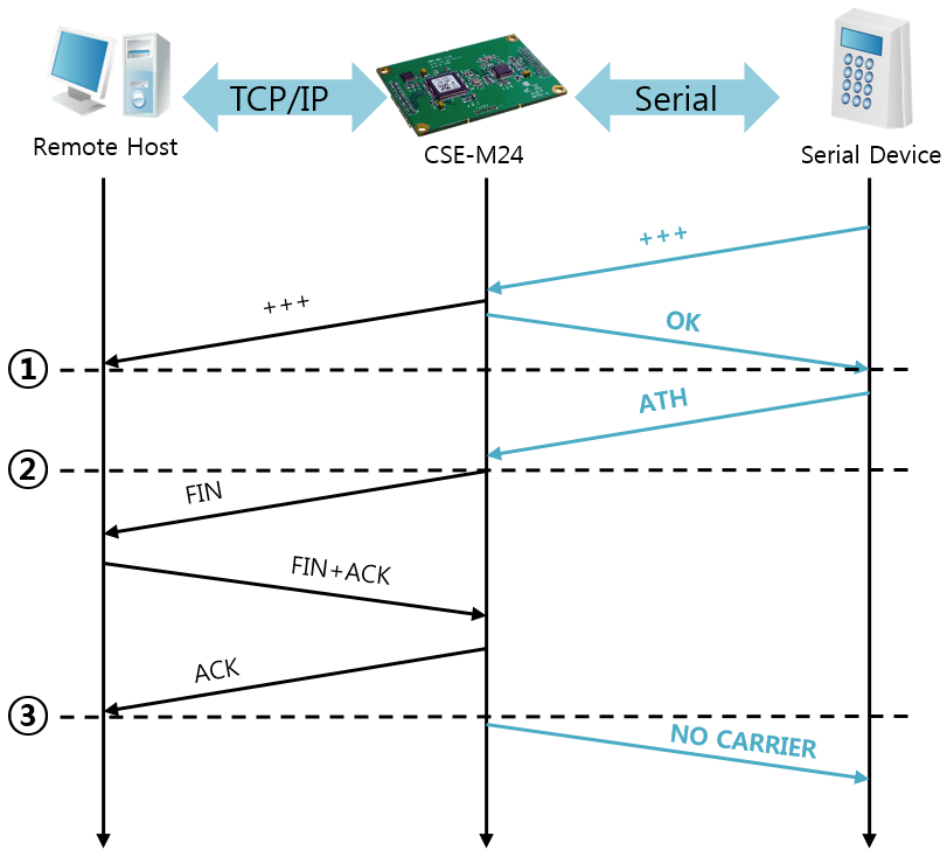


Figure 5-9 termination of online status

Points	States
~	Keeps TCP connection
①	CSE-M24 enters the AT command mode with receiving "+++"
~	Keeps AC command mode
②	CSE-M24 terminates TCP connection with ATH command
~	Processes of TCP disconnection
③	TCP connection has been terminated
~	CSE-M24 sends "NO CARRIER" with disconnection

Table 5-13 states of each points

CSE-M24 changes the mode to AT command, when receiving "+++" and sending "OK" message. In this state, the communication with remote host is not possible because CSE-M24 processes only AT command. Whenever you want to go back to online state (TCP connection), use "ATO" command.

☞ Refer to the [At Command(ATC) Mode] document on our website for details.

5.4 UDP

UDP has no connection processes. In this mode, data is sent in block units. Therefore, data that comes through CSE-M24's serial port is collected in block units to send it elsewhere.

5.4.1 Key parameters

- Block Size(Byte)

[Block Size(Byte)] is to set the time to gather data in one block. Its unit is byte. If the data in configured size of the [Block Size(Byte)] comes into the serial port, CSE-M24 will send them as one block to the network. The maximum value could be 1460 bytes.

- Dynamic update of Peer host

If you set the value of [Peer Address] and [Peer Port] to 0, [dynamic update of peer host] function is activated. By using this function, CSE-M24 can communicate to multiple hosts without additional setting.

5.4.2 Examples

- Block Size: 5 Bytes

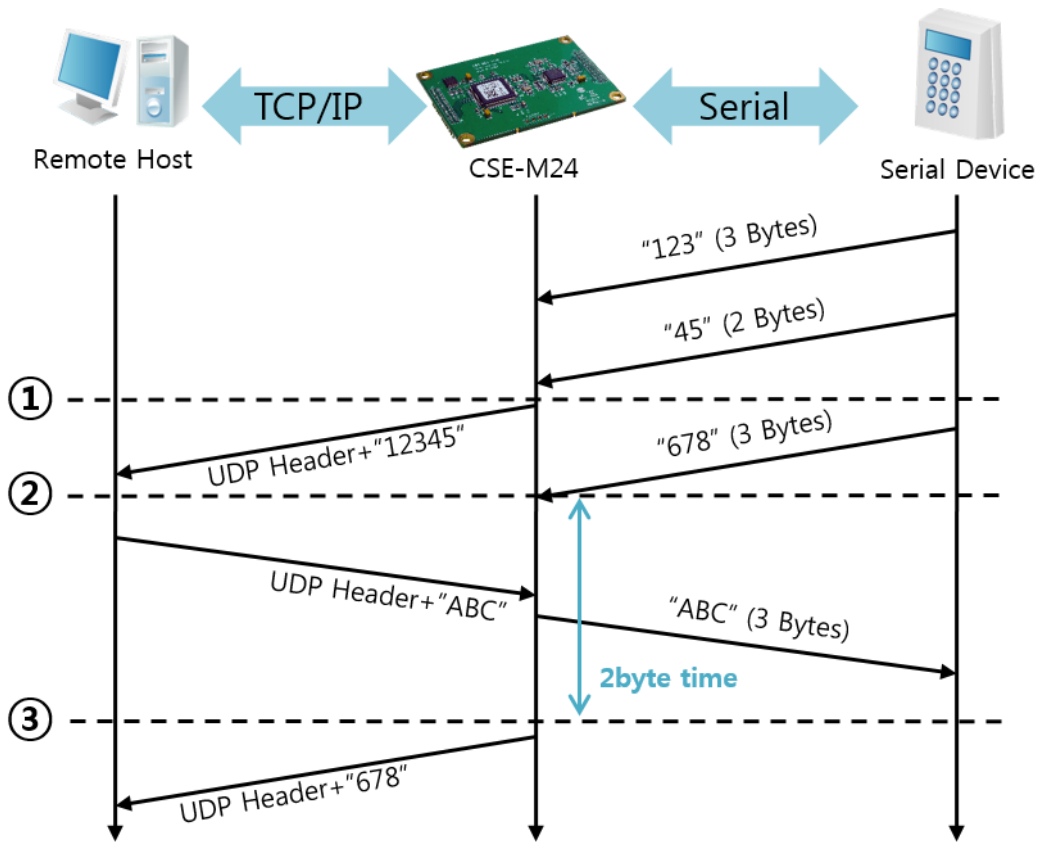


Figure 5-10 time chart for block size is 5 bytes

Points	States
~	CSE-M24 is receiving data from the serial port
①	CSE-M24 Sends 5 bytes as one block based on the [Block Size]
~	Serial device sends data "678" to the CSE-M24
②	Data "678" has arrived
~	CSE-M24 sends data from the remote host to the serial device
③	2byte time has passed
~	CSE-M24 sends data "678" based on the [Data frame]

Table 5-14 states of each points

- Dynamic Update of Peer host

This is a function that CSE-M24 automatically sets its peer host with information of the last packet received from network. The source address of the packet is set to the peer host.

Parameters	Values
Peer Address	0 (None)
Peer Port	0

Table 5-15 setting for [dynamic update of peer host] function

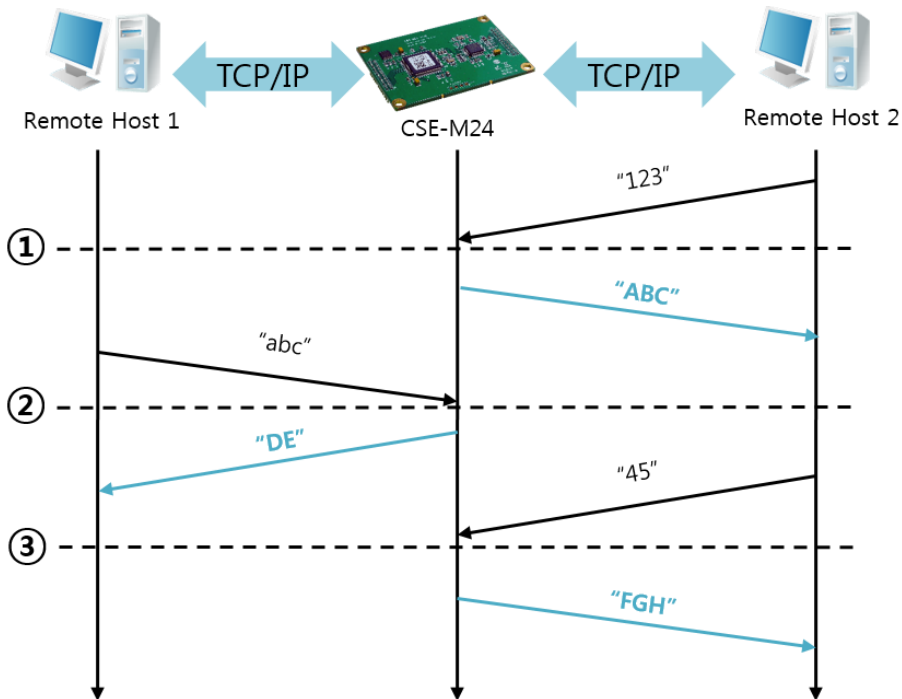


Figure 5-11 time chart for [dynamic update of peer host]

Points	States
~	Remote host 2 sends data to CSE-M24
①	CSE-M24 sets host 2 to peer host
~	Remote host 1 sends data to CSE-M24
②	CSE-M24 updates host 1 to peer host
~	Remote host 2 sends data again to CSE-M24
③	CSE-M24 updates host 2 to peer host
~	CSE-M24 can communicate with remote host 2

Table 5-16 states of each points

☞ *The data "ABC", "DE", "FGH" are from the serial port of CSE-M24 in the above figure.*

6 System Management

6.1 Upgrading Firmware

6.1.1 Firmware

Firmware is a type of software for operation of CSE-M24. If there are needs for adding function or fixing bugs, the firmware is modified and released. We recommend that users keep use the latest released firmware.

6.1.2 Processes

- Downloading the latest released firmware
Download the newest firmware file. We update our homepage when a new firmware is released. You can find it on our website.
- Entering ISP mode
Enter ISP mode to download firmware file to CSE-M24.
- Run a TFTP client and ready to send the F/W file
Run a TFTP client program. ezManager is equipped the client program. Click the [Change F/W / HTML] button.

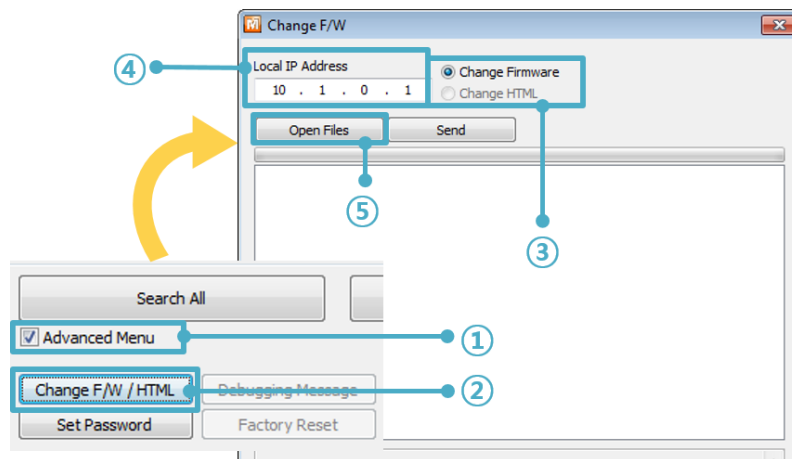


Figure 6-1 running TFTP client

- ① Check the [Advanced Menu] check box
 - ② Click the [Change F/W / HTML] button to run TFTP client
 - ③ Select the [Change Firmware] radio button
 - ④ Input the IP address of CSE-M24 to the [Local IP Address] text box
 - ⑤ Press the [Open Files] button and choose the firmware file
- Checking firmware file and Sending

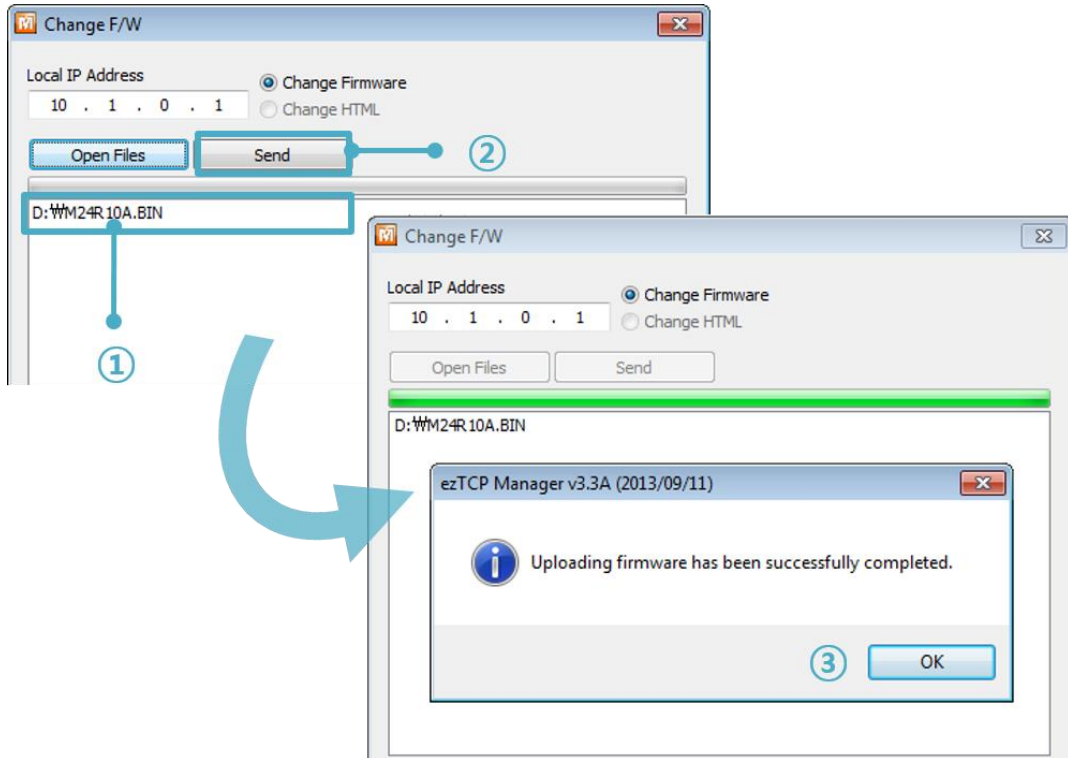


Figure 6-2 sending firmware file

- ① Check if the name and path of the firmware file are correct
- ② Click the [Send] button
- ③ Confirm the completed message

☞ ***When a password is required, enter your password. Starting with firmware version 2.0A, you can upgrade the firmware by entering "sollae" without setting a password.***

6.2 Status Monitoring

6.2.1 Using TELNET

Once the [TELNET] option is activated, users can remotely log in to CSE-M24. If a password is set, users should input the password.

☞ **Starting with firmware version 2.0A, you can login by entering "sollae" without setting a password.**

After then, messages from CSE-M24 appear like the below figure.

```
CSE-M24 Management Console v1.1A Sollae Systems
lsh>
```

Figure 6-3 log in to CSE-M24 on TELNET

Followed commands let users check each state.

Command	Option	Description	Usage
st	net	IPv4 Network Status	lsh>st net
	net6	IPv6 Network Status	lsh>st net6
	sio	Serial Port Status	lsh>st sio
	uptime	System Uptime	lsh>st uptime
sc	[OP1][OP2]	Session Control	lsh>sc com1 close
sd	[OP1][OP2]	Serial Data Capture	lsh>sd 1 100
exit		Telnet Session Exit	lsh>exit

Table 6-1 commands for checking states

- st net

"st net" command displays present IPv4 network states of all sessions.

```
CSE-M24 Management Console v1.1A Sollae Systems
lsh>st net
proto  name      local address          peer address          sendq  state
-----
TCP    tty         10.1.0.1< 23>         10.7.0.57<12426>     219   ESTABLISHED
TCP    com4        0.0.0.0<14703>        0.0.0.0< 0>          0     LISTEN
TCP    com3        10.1.0.1<14702>        10.7.0.57<12436>     0     ESTABLISHED
TCP    com2        0.0.0.0<14701>        0.0.0.0< 0>          0     LISTEN
TCP    com1        0.0.0.0<14700>        0.0.0.0< 0>          0     LISTEN
lsh>
```

Figure 6-4 "st net" command

- st net6

"st net6" command displays present IPv6 network states of all sessions.

```

CSE-M24 Management Console v1.1A Sollae Systems
lsh>st net6
proto name          local/peer address          sendq  state
-----
TCP6   com2              fe80::230:f9ff:fe12:c1d2<14701>  0     ESTABLISHED
                    fe80::d858:7cb4:47a0:201b<12451>
lsh>
    
```

Figure 6-5 "st net6" command

- st sio

"st sio" command displays the number of bytes for the serial port.

```

CSE-M24 Management Console v1.1A Sollae Systems
lsh>st sio
port fmax rbmax rxbuf txbuf  rx_count  tx_count
-----
com1  0    0    0    0      17        16
com2  0    0    0    0       0         0
com3  0    0    0    0       0         0
com4  0    0    0    0       0         0
lsh>
    
```

Figure 6-6 "st sio" command

- st uptime

"st uptime" command shows amount of time since CSE-M24 boots up.

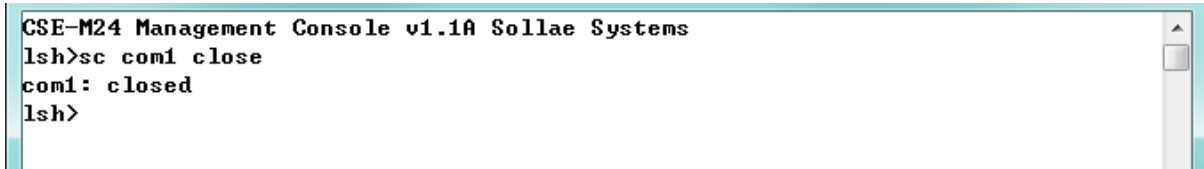
```

CSE-M24 Management Console v1.1A Sollae Systems
lsh>st uptime
00:01:55.88 up 0 days
lsh>
    
```

Figure 6-7 "st uptime" command

- sc

"sc" command is used when users close a session. [OP1] means the name of session, and [OP2] should be "close".



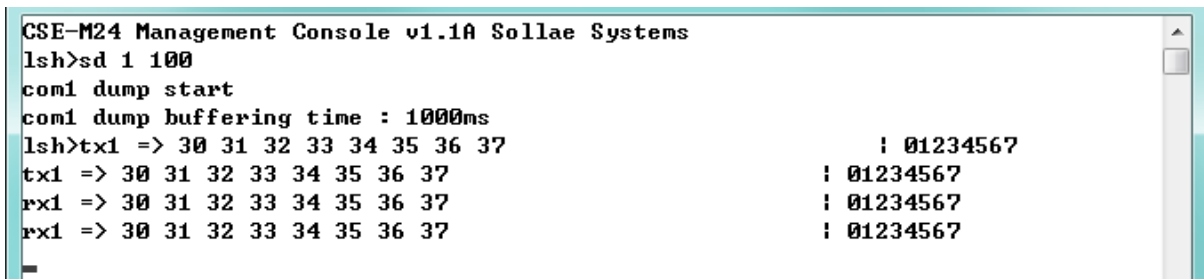
```
CSE-M24 Management Console v1.1A Sollae Systems
lsh>sc com1 close
com1: closed
lsh>
```

Figure 6-8 "sc" command

In case of the "sc" command you should use only small letters.

- sd

"sd" command is for capturing serial data. [OP1] means name of the session, [OP2] means period, which has a 10ms unit, for the capture

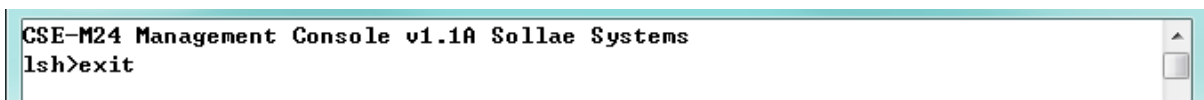


```
CSE-M24 Management Console v1.1A Sollae Systems
lsh>sd 1 100
com1 dump start
com1 dump buffering time : 1000ms
lsh>tx1 => 30 31 32 33 34 35 36 37           ! 01234567
tx1 => 30 31 32 33 34 35 36 37           ! 01234567
rx1 => 30 31 32 33 34 35 36 37           ! 01234567
rx1 => 30 31 32 33 34 35 36 37           ! 01234567
```

Figure 6-9 "sd" command

- exit

"exit" command is used when users close Telnet session.



```
CSE-M24 Management Console v1.1A Sollae Systems
lsh>exit
```

Figure 6-10 "exit" command

6.2.2 Using ezManager

Status of CSE-M24 can be monitored by [Status] button on ezManager. By using the [Refresh Every 1 Second] option in the status window, the status is automatically updated in every second.

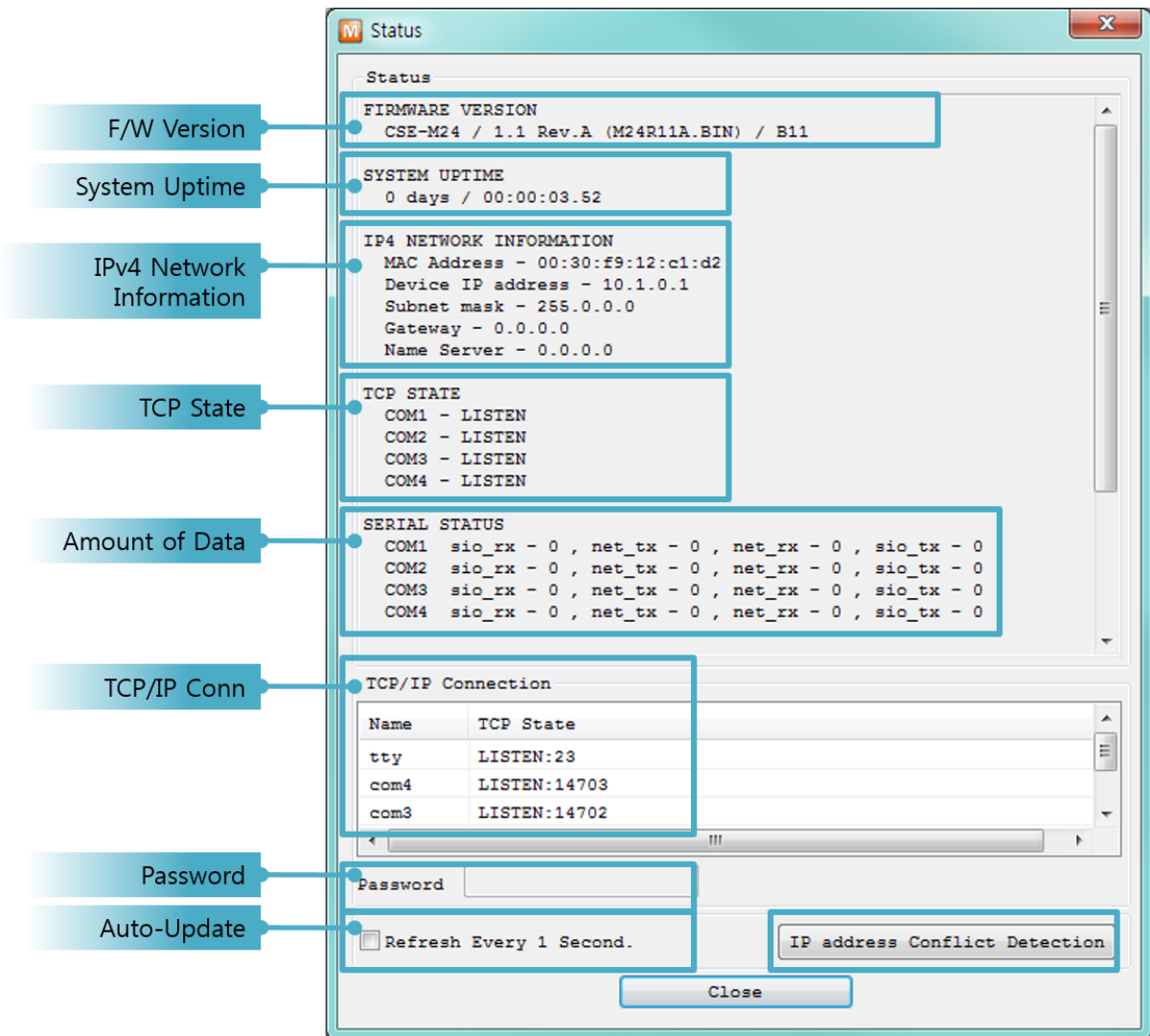


Figure 6-11 status window of ezManager

- **FIRMWARE VERSION**
The name of model name and the version of firmware are displayed here.
- **SYSTEM UPTIME**
Amount of time is displayed since CSE-M24 boots up.
- **IP4 NETWORK INFORMATION**
All information about related items with IPv4 Address is shown here. It works even if the IP address is assigned from DHCP or PPPoE.

- IP6 NETWORK INFORMATION

All information about related items with IPv6 Address is shown here. It works even if the IP address is assigned from DHCP or PPPoE.

- TCP STATE

TCP status of each port is shown this section.

Message	Description
LISTEN	listening TCP connection
CLOSE	TCP connection is closed
SYN_SENT	Send "SYN" segment to make TCP connection
ESTABLISHED	When TCP connection is established
N/A	In UDP mode

Table 6-2 TCP state

- SERIAL STATUS

Amount of data in every buffer is displayed. The unit is byte.

Buffer	Description
sio_rx	The number of data which is received from the COM port
net_tx	The number of data which is sent to the remote host
net_rx	The number of data which is received from the remote host
sio_tx	The number of data which is sent to the COM port

Table 6-3 serial status

- ARP/ND CACHE TABLE

This part shows ARP table on CSE-M24. When TCP connection is established or UDP data communication is performed, the information of IP and MAC address is automatically stored in the ARP table. This information is held for 1 minute. When 50 seconds is passed, CSE-M24 starts broadcasting the ARP packet again. If there is no response until the time is 0, the information is removed. If there is response, the time is updated 60 seconds again.

In IPv6 case, it shows ND cache list. User can check by the ND cache messages. The messages are as follows.

Status	Description
INCOMPLETE	This means the device is standing by after it sends the request message, Neighbor Solicitation, to MAC and link local address of an opponent in the initial communication.
REACHABLE	This means the device has information about the opponent after it sends Neighbor Solicitation, and receives Neighbor Advertisement.
STALE	The device will change into STALE state after some time later reaching REACHABLE.
DELAY	The device will change into DELAY state if there is no response to Neighbor Solicitation. In this case, CSE-M24 will not be able to communicate with the device.
PROBE	CSE-M24 will resend the request message to the device in DELAY state. CSE-M24 will keep sending Neighbor Solicitation until it replies.

Table 6-4 5 states displayed on ND Cache table

- TCP TIMER

Time information about TCP timer is displayed. (Keep Alive, Disconnect, Retransmission, Delayed ACK, Nagle)

- TCP/IP Connection

In this section, the same information with TCP STATE is displayed with IP address and port number. A difference is that users can terminate TCP connection. When right click on a session, a small pop-up window is created.

- Password

This text box is activated when CSE-M24 has a password. If users want to close TCP connection with right click of mouse on the session, this password has to be correctly filled.

- Refresh Every 1 Second.

If this option is checked, ezManager send query in every second.

- IP address Conflict Detection

By clicking this button, you can find devices which have the same IP address to yours on the network.

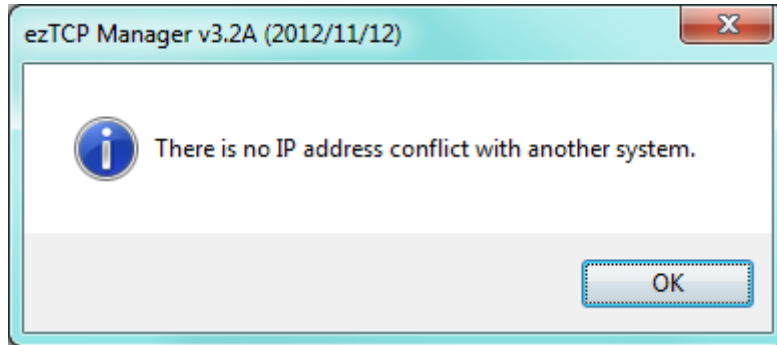


Figure 6-12 without IP address conflict detection

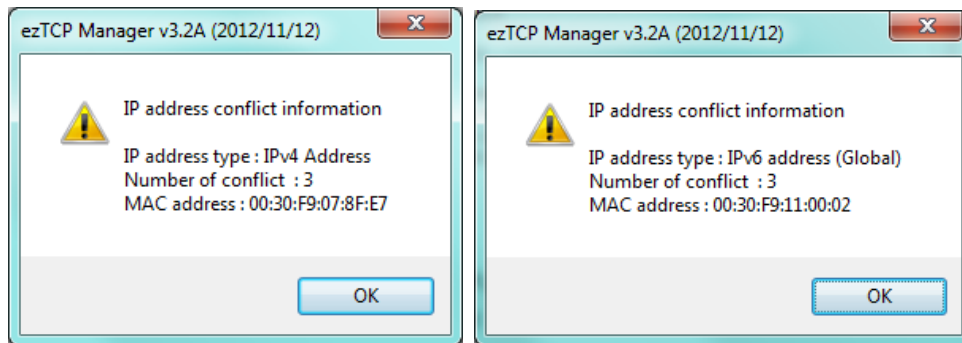


Figure 6-13 IP address conflict detection

7 Additional Functions

7.1 Access Restriction (ezTCP Firewall)

On the [Option] tab of ezManager, you can set access restriction function with MAC and IP address.

- Allowed MAC Address

If this option has a valid value, the device which has the MAC address is only permitted to access.

- Allowed IP Address

This is for qualifying hosts with IP address or range of IP addresses. The range is defined by multiplying [IP address] and [Network Mask] in bit unit.

- Examples for IPv4

IP Address	Network Mask	Allowed IP Address Range
10.1.0.1	255.0.0.0	10.1.0.1 ~ 10.255.255.254
10.1.0.1	255.255.255.0	10.1.0.1 ~ 10.1.0.254
192.168.1.4	255.255.255.255	192.168.1.4

Table 7-1 examples of defining allowed IPv4 range

- Apply to ezManager

[Apply to ezManager] is for applying above two restrictions to ezManager functions like [Search], [Read], [Write] and etc.

- Examples for IPv6

IPv6 Address	Prefix	Allowed IP Address Range
2001:DB8::100	64	2001:DB8::1 ~ 2001:DB8::FFFF:FFFF:FFFF:FFFF
2001:DB8::100	128	2001:DB8::100

Table 7-2 examples of defining allowed IPv6 range

7.1.1 Setting Password

A password can be used for protecting CSE-M24 from TELNET login or changing environmental parameters by hosts which are not qualified. The maximum length is 8 bytes of Alphabet or number.

☞ ***When you want to revoke all of these restrictions, operate CSE-M24 as ISP mode. In the mode, all restrictions are removable and communication with ezManager is revoked.***

8 Additional Functions

8.1 Notify IPv4 Change

CSE-M24 can be TCP server even though it assigned IP address automatically. Using [Notify IP Change] function, CSE-M24 sends its IP address with the host name to the designed server. There are 3 types- DDNS, TCP and UDP for this service.

- Dynamic Domain Name Service (DDNS)
CSE-M24 supports DDNS service offered by DynDNS. Therefore, you have to make an account and create host names on the website of DynDNS before you use.

☞ **All about service usage of an account could be changed according to the policy of DynDNS.**

☞ **DynDNS website: <http://dyn.com/dns/>**

Figure 8-1 setting DDNS

- ① Select the [DDNS(dyndns.org)]
 - ② 40,320 is a fixed value
 - ③ Input the ID of DDNS account
 - ④ Input the password of the account
 - ⑤ Input a host name which you create on your account
- TCP/UDP
In case you have an own server and want to manage the information about changed IP addresses, you allowed used TCP/UDP for using this option. The [Data Type] can be ASCII or hexadecimal, and the [Interval] is available on configuration.

☞ **Refer to the [IP Change Notification] document on our website for details.**

8.2 Sending MAC Address

[Sending MAC Address] is a function that CSE-M24 sends its MAC address to the remote host right after the connection is established. By using this function, a server can identify multiple devices with the information.

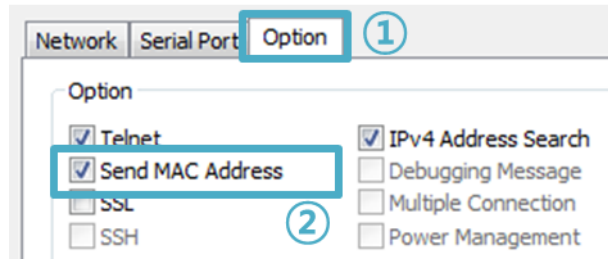


Figure 8-2 setting of Sending MAC Address function

- ① Move to the [Option] tab.
- ② Check the [Send MAC Address] option.

☞ ***Refer to the [Sending MAC Address Function] document on our website for details.***

8.3 Serial Port Tab Functions

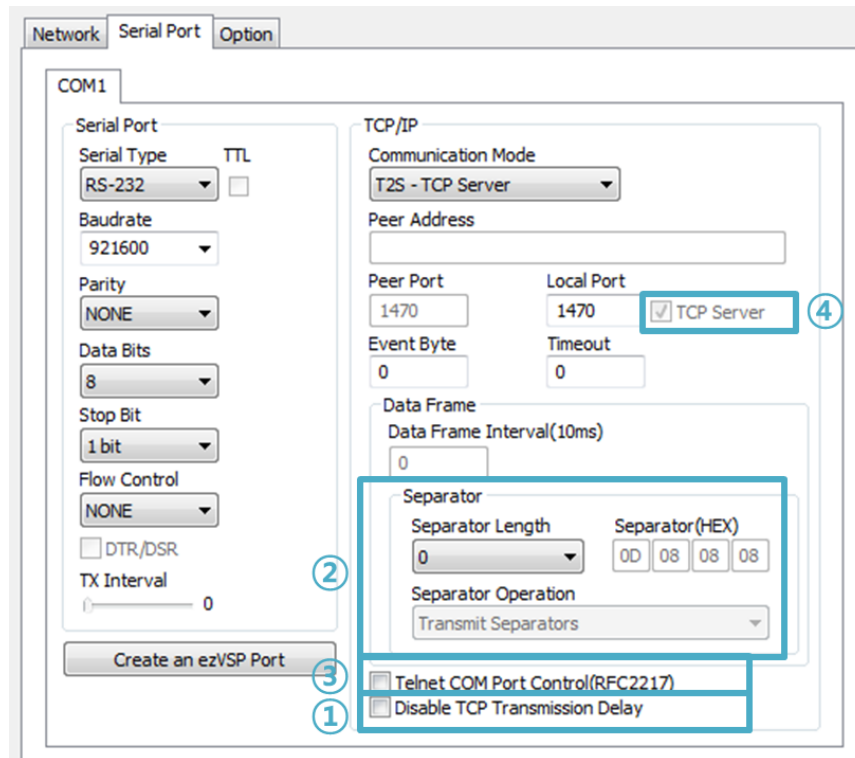


Figure 8-3 setting of Serial port tab functions

8.3.1 Disable TCP Transmission Delay - ①

If you use this option, CSE-M24 sends the data from the serial port to LAN as quickly as possible.

8.3.2 Separator - ②

Using this function, you can control the length of network packets by specific characters.

Separator	options
Length	select the length between 0 ~ 4 bytes
Operation	Transmit Separators without additional bytes
	Transmit Separators + 1 byte
	Transmit Separators + 2 bytes

Table 8-1 separator

8.3.3 TELNET COM port Control Option (RFC 2217) - ③

This option is for sending and receiving serial port states between two devices. Users can send and receive control signals like RTS/CTS when the states are changed.

☞ *Refer to the [Telnet COM Port Control Option] document on our website for details.*

8.3.4 TCP Server / Client mode - ④

This mode is available on TCP client mode only. In this mode, you do not need to change the mode for switching active or passive TCP connection. Note that the [Event Byte] option should be set to more than 1.

☞ *Refer to the [TCP Server / Client mode] document on our website for details.*

☞ *CSE-M24's Data Frame interval is configured 2byte data interval. Before sending data from the serial port to LAN, CSE-M24 gathers data in the buffer. If there is no data during the time configured in the 2byte data interval, it will send data to the network.*

8.4 Factory Reset

It is a function physically initializes all the setting. You can save a setting to user-defined ENV area and use it as default values by the factory reset. However, if you do not use the area, Factory Reset uses a factory default by manufacturer as its default values.

- Using Factory Reset

- ① Connect pin ISP to GND (input LOW signal).
- ② Connect pin ISP to GND (input LOW signal over 10 seconds).
- ③ Factory Reset will be automatically implemented to default values.
- ④ Disconnect the pin from GND.
- ⑤ Reboot.

- Setting custom default values

- ① Change the mode to Serial Configuration mode.
- ② Save custom default values by ezManager or serial configuration commands.
- ③ Input the command below through serial port.

b	<SPACE>	3c5a	<CR>
---	---------	------	------

- ④ After step ③, current values in the SRAM is saved in user-defined ENV area and the values will be always used for [Factory Reset].

9 Checklist in Trouble

When users are in trouble with CSE-M24, make sure all the followed steps first.

9.1 Searching problem with ezManager

- Confirming types of configuration utility
CSE-M24 can be configured by ezManager.
- Stopping Firewall operation
Firewalls of personal computer or network block broadcast packets. Stop all the firewalls before searching CSE-M24

☞ ***Most of vaccine programs have firewall functions so it can cause some trouble to search CSE-M24. Stop these programs before the searching.***

- Stable supply of the power
Check if the power is supplied continually.
- Connection with the network
Make sure that the network connection is fine including Ethernet cable. In this step, we recommend that users connect CSE-M24 with PC directly or in the same network hub.
- Checking options of restriction
In case that restriction of access is activated, the communication with ezManager can be impossible. When users are in this situation, make CSE-M24 operate in ISP mode.

9.2 Connection Problem over TCP/IP

- Checking parameters related with TCP/IP

When CSE-M24 has a private network IP address, personal computer's IP address has to be the same sub network. Check if the IP address and local port number are correct. In case of a fixed IP address, the subnet mask, gateway IP address and DNS IP address should be configured.

TCP Server side	TCP Client side
Local IP Address, Local Port, Subnet Mask, Gateway IP Address, DNS IP Address, DDNS	Local IP Address, Peer Address, Peer Port, Subnet Mask, Gateway IP Address, DNS IP Address,

Table 9-1 major parameters related with TCP/IP

- PING Test

Confirm the connection over the network by PING test. If the CSE-M24 doesn't send any reply from the request, check the network environment.

- Firewall

In case the networks which need strong security, the access may be denied by their firewall. Under this circumstance, users should ask the person in charge of their network to release ports which will be used. (Ex: TCP 1470, UDP 50005)

- Operation Mode

TCP connection is not possible when CSE-M24 is operating in the ISP or Serial Configuration mode.

- Communication Mode

To make TCP connection, both a server and client should exist. If there are only servers or clients, TCP connection can't be established.

- ezTCP Firewall

When users set the ezTCP firewall with MAC and IP address, any hosts can't be reachable to it except for the hosts which have the allowed MAC and IP address. Inactivate the option or check the setting is correct.

- Checking the TCP status

TCP is a protocol connected one to one without multiple connection function. Because of this, if a device is on TCP connection, other requests are denied. If users are in this situation, check the network status by connecting on TELNET or using ezManager.

9.3 Data Communication Problem on the Serial

- Connection of Pins

Check if the connection of each pin is right. Using cables, users choose the right type of cable which is suitable for the device.

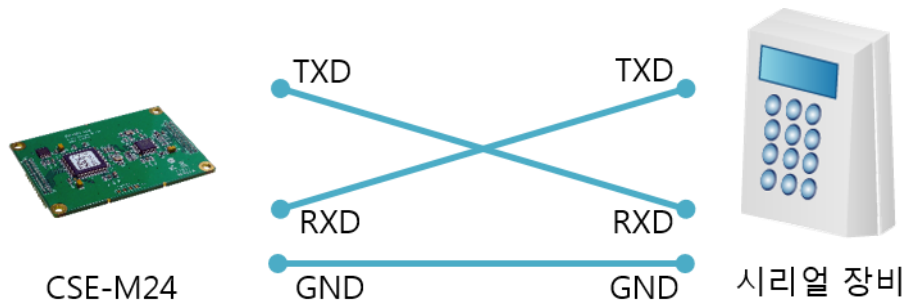


Figure 9-1 RS232 connection

- Setting parameters

Check if all the serial port parameters like Baud Rate, Data bit, Stop bit and Parity are properly set.

☞ **Contact us if you have any questions about above steps or our products.**

10 Related Material

10.1 Technical Documents

You can find the technical documents at our website.

- Datasheet
- IP Change Notification(DDNS)
- Sending MAC Address function
- TCP Server/Client mode
- Telnet COM Port Control Option

10.2 Smart phone Application

- ezManager(IOS)
- ezManager(Android)
- TCP/IP Client(Android)

11 Technical Support and Warranty

11.1 Technical Support

If you have any question regarding operation of the product, visit Customer Support FAQ corner and the message board on Sollae Systems' web site or send us an email at the following address:

- E-mail: support@eztcp.com
- Website Address for Customer Support: <http://www.eztcp.com/en/support/>

11.2 Warranty

11.2.1 Refund

Upon the customer's request to refund the product within two weeks after purchase, Sollae Systems will refund the product.

11.2.2 Free Repair Services

For product failures occurring within two years after purchase, Sollae Systems provides free repair services or exchange the product. However, if the product failure is due to user's fault, repair service fees will be charged or the product will be replaced at user's expense.

11.2.3 Charged Repair Services

For product failures occurring after the warranty period (two years) or resulting from user's fault, repair service fees will be charged and the product will be replaced at user's expense.

12 Precaution and Exemption from Liability

12.1 Precaution

- Sollae Systems is not responsible for product failures occurring due to user's alternation of the product.
- Specifications of the product are subject to change without prior notice for performance improvement.
- Sollae Systems does not guarantee successful operation of the product if the product was used under conditions deviating from the product specifications.
- Reverse engineering of firmware and applications provided by Sollae Systems is prohibited.
- Use of firmware and applications provided by Sollae Systems for purposes other than those for which they were designed is prohibited.
- Do not use the product in an extremely cold or hot place or in a place where vibration is severe.
- Do not use the product in an environment in which humidity is high or a lot of oil exists.
- Do not use the product where there is caustic or combustible gas.
- Sollae Systems does not guarantee normal operation of the product under the conditions a lot of noise exists.
- Do not use the product for a purpose that requires exceptional quality and reliability relating to user's injuries or accidents – aerospace, aviation, health care, nuclear power, transportation, and safety purposes.
- Sollae Systems is not responsible for any accident or damage occurring while using the product.

12.2 Exemption from Liability

12.2.1 English version

In no event shall Sollae Systems Co., Ltd. And its distributors be liable for any damages whatsoever (including, without limitation, damages for loss of profit, operating cost for commercial interruption, loss of information, or any other financial loss) from the use or inability to use the CSE-M24 even if Sollae Systems Co., Ltd. Or its distributors have been informed of such damages.

The CSE-M24 is not designed and not authorized for use in military applications, in nuclear applications, in airport applications or for use in applications involving explosives, or in medical applications, or for use in security alarm, or for use in a fire alarm, or in applications involving elevators, or in embedded applications in vehicles such as but not limited to cars, planes, trucks, boats, aircraft, helicopters, etc..

In the same way, the CSE-M24 is not designed, or intended, or authorized to test, develop, or be built into applications where failure could create a dangerous situation that may result in financial losses, damage to property, personal injury, or the death of people or animals. If you use the CSE-M24 voluntarily or involuntarily for such unauthorized applications, you agree to subtract Sollae Systems Co., Ltd. And its distributors from all liability for any claim for compensation.

Sollae Systems Co., Ltd. And its distributors entire liability and your exclusive remedy shall be Sollae Systems Co., Ltd. And its distributors option for the return of the price paid for, or repair, or replacement of the CSE-M24.

Sollae Systems Co., Ltd. And its distributors disclaim all other warranties, either expressed or implied, including, but not limited to, the implied warranties of merchantability and fitness for a particular purpose, with respect to the CSE-M24 including accompanying written material, hardware and firmware.

12.2.2 French version

- Documentation

La documentation du CSE-M24 est conçue avec la plus grande attention. Tous les efforts ont été mis en œuvre pour éviter les anomalies. Toutefois, nous ne pouvons garantir que cette documentation soit à 100% exempt de toute erreur. Les informations présentes dans cette documentation sont données à titre indicatif. Les caractéristiques techniques peuvent changer à tout moment sans aucun préavis dans le but d'améliorer la qualité et les possibilités des produits.

- Copyright et appellations commerciales

Toutes les marques, les procédés, les références et les appellations commerciales des produits cités dans la documentation appartiennent à leur propriétaire et Fabricant respectif.

- Conditions d'utilisations et limite de responsabilité

En aucun cas Sollae Systems Co., Ltd ou un de ses distributeurs ne pourra être tenu responsable de dommages quels qu'ils soient (intégrant, mais sans limitation, les dommages pour perte de bénéfice commercial, interruption d'exploitation commerciale, perte d'informations et de données à caractère commercial ou de toute autre perte financière) provenant de l'utilisation ou de l'incapacité à pouvoir utiliser le CSE-M24, même si Sollae Systems Co., Ltd ou un de ses distributeurs a été informé de la possibilité de tels dommages.

Le CSE-M24 est exclusivement prévu pour un usage en intérieur, dans un environnement sec, tempéré (+10 °C à +40°C) et non poussiéreux. Le CSE-M24 n'est pas prévu, ni autorisé pour être utilisé en extérieur, ni de façon embarquée dans des engins mobiles de quelque nature que ce soit (voiture, camion, train, avion, etc...), ni en milieu explosif, ni dans des enceintes nucléaires, ni dans des ascenseurs, ni dans des aéroports, ni dans des enceintes hospitaliers, ni pour des applications à caractère médical, ni dans des dispositifs de détection et d'alerte anti-intrusion, ni dans des dispositifs de détection et d'alerte anti-incendie, ni dans des dispositifs d'alarme GTC, ni pour des applications militaires.

De même, le CSE-M24 n'est pas conçu, ni destiné, ni autorisé pour expérimenter, développer ou être intégré au sein d'applications dans lesquelles une défaillance de celui-ci pourrait créer une situation dangereuse pouvant entraîner des pertes financières, des dégâts matériel, des blessures corporelles ou la mort de personnes ou d'animaux. Si vous utilisez le CSE-M24 volontairement ou involontairement pour de telles applications non

autorisées, vous vous engagez à soustraire Sollae Systems Co., Ltd et ses distributeurs de toute responsabilité et de toute demande de dédommagement.

En cas de litige, l'entière responsabilité de Sollae Systems Co., Ltd et de ses distributeurs vis-à-vis de votre recours durant la période de garantie se limitera exclusivement selon le choix de Sollae Systems Co., Ltd et de ses distributeurs au remboursement de votre produit ou de sa réparation ou de son échange. Sollae Systems Co., Ltd et ses distributeurs démentent toutes autres garanties, exprimées ou implicites.

Tous les CSE-M24 sont testés avant expédition. Toute utilisation en dehors des spécifications et limites indiquées dans cette documentation ainsi que les court-circuit, les chocs, les utilisations non autorisées, pourront affecter la fiabilité, créer des dysfonctionnements et/ou la destruction du CSE-M24 sans que la responsabilité de Sollae Systems Co., Ltd et de ses distributeurs ne puissent être mise en cause, ni que le CSE-M24 puisse être échangé au titre de la garantie.

- Rappel sur l'évacuation des équipements électroniques usagés

Le symbole de la poubelle barré présent sur le CSE-M24 indique que vous ne pouvez pas vous débarrasser de ce dernier de la même façon que vos déchets courants. Au contraire, vous êtes responsable de l'évacuation du CSE-M24 lorsqu'il arrive en fin de vie (ou qu'il est hors d'usage) et à cet effet, vous êtes tenu de le remettre à un point de collecte agréé pour le recyclage des équipements électriques et électroniques usagés. Le tri, l'évacuation et le recyclage séparés de vos équipements usagés permettent de préserver les ressources naturelles et de s'assurer que ces équipements sont recyclés dans le respect de la santé humaine et de l'environnement. Pour plus d'informations sur les lieux de collecte des équipements électroniques usagés, contacter votre mairie ou votre service local de traitement des déchets.

13 History

Date	Version	Comments	Author
2015.03.20	1.0	○ First version has been released.	Amy Kim
2015.10.08	1.1	○ Modified an application circuit.	Peter
2016.03.22	1.3	○ Add explanation for telnet login.	Peter